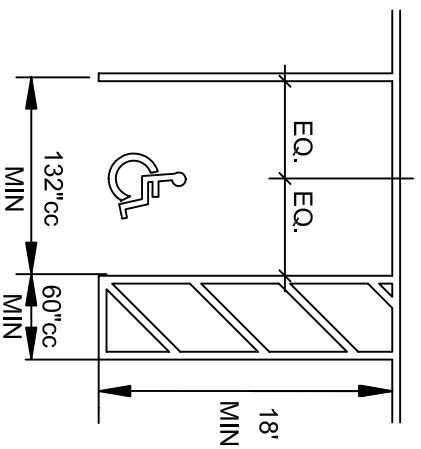
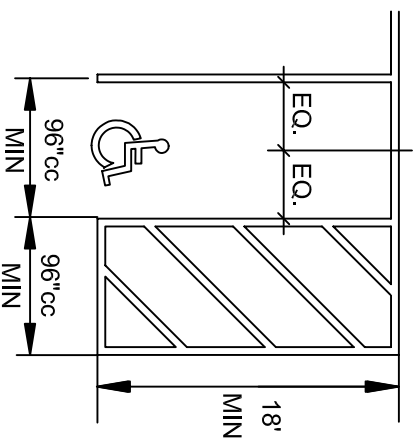


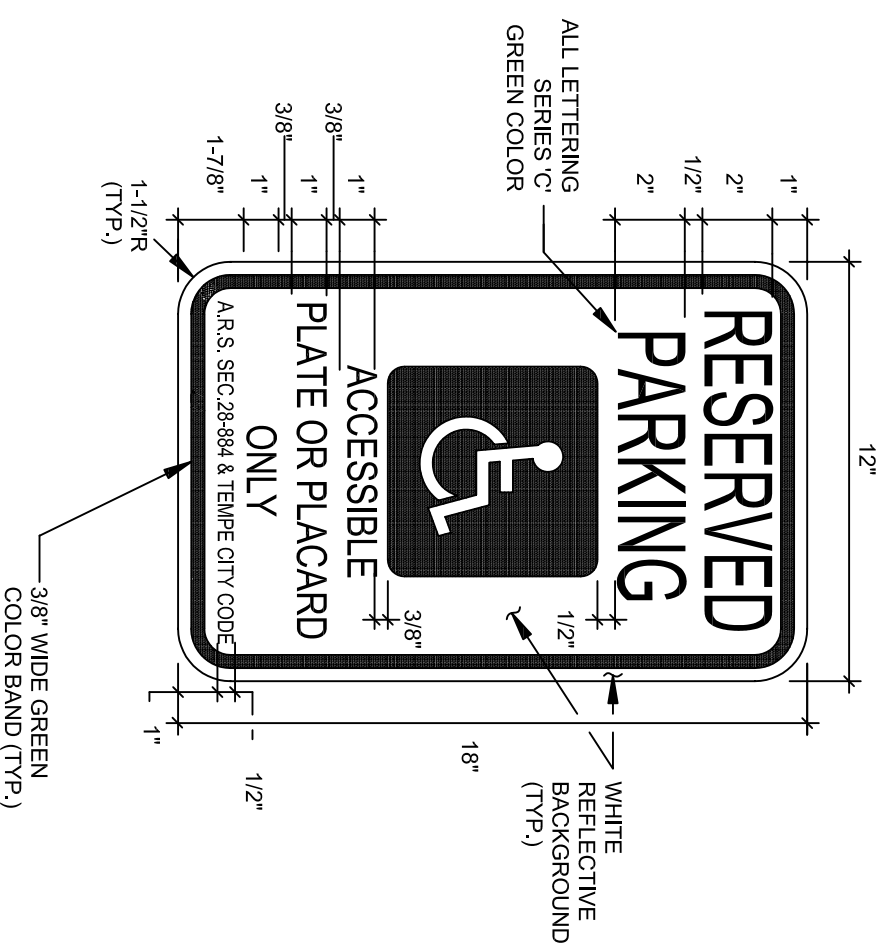
STANDARD ACCESSIBLE SPACE



VAN ACCESSIBLE SPACE



ALTERNATE VAN ACCESSIBLE SPACE

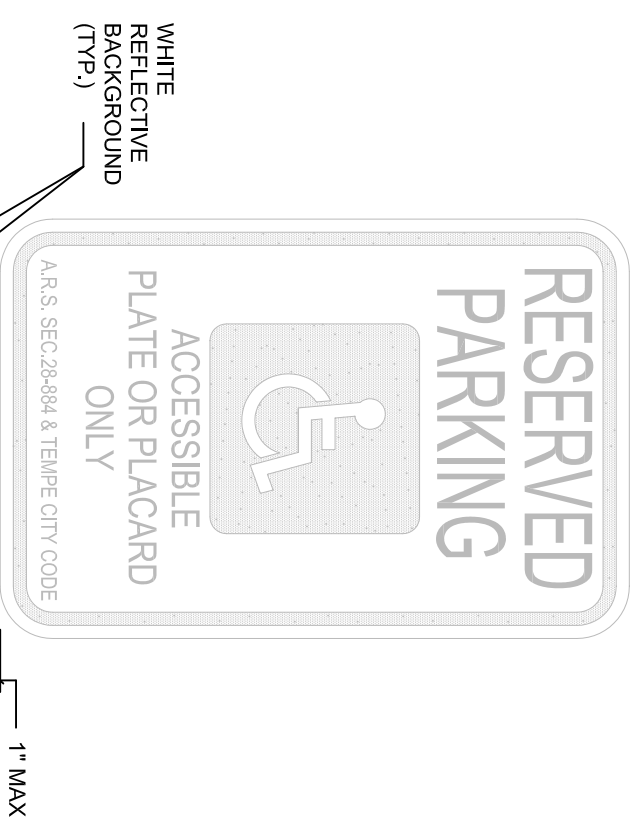


CITY OF TEMPE ACCESSIBLE PARKING SIGN STANDARD

INTERNATIONAL SYMBOL OF ACCESSIBILITY ON PARKING SIGN SHOWN WHITE ON 6"X6" BLUE FIELD WITH 1/2 INCH RADIUS CORNERS.

NOTES FOR ACCESSIBLE PARKING SIGN & PARKING SPACE:

- 1) THE BOTTOM OF THE SIGN SHALL BE 60 INCHES MINIMUM ABOVE FINISHED FLOOR OR GROUND SURFACE.
- 2) SIGNS SHALL BE PROPERLY CENTERED ON THE PARKING SPACE.
- 3) THE SIGN FACE SHOULD BE LOCATED NO FARTHER THAN 6 FEET FROM THE FRONT OF EACH PARKING SPACE.
- 4) THE INTERNATIONAL SYMBOL OF ACCESSIBILITY SHALL BE PLACED ON THE PAVEMENT WITHIN EACH ACCESSIBLE PARKING SPACE. A BLUE BACKGROUND WITH YELLOW OR WHITE BORDER MAY SUPPLEMENT THE WHEELCHAIR SYMBOL.



NOTES FOR VAN ACCESSIBLE SIGN:

- 1) THE BOTTOM OF THE VAN ACCESSIBLE SIGN SHALL BE 60 INCHES MINIMUM ABOVE FINISH FLOOR OR GROUND SURFACE.
- 2) THE VAN ACCESSIBLE SIGN SHALL BE CENTERED UNDER THE ACCESSIBLE PARKING SIGN AS SHOWN.
- 3) FOR MORE INFORMATION ON RESERVED PARKING SIGN, SEE ACCESSIBLE PARKING SIGN DETAIL LEFT.

APPROVED:



CITY OF TEMPE
COMMUNITY DEVELOPMENT DEPARTMENT
BUILDING SAFETY DIVISION

ADA ACCESSIBLE PARKING SPACES
MARKING/SIGNAGE ON PRIVATE DEVELOPMENT

JUNE 2012