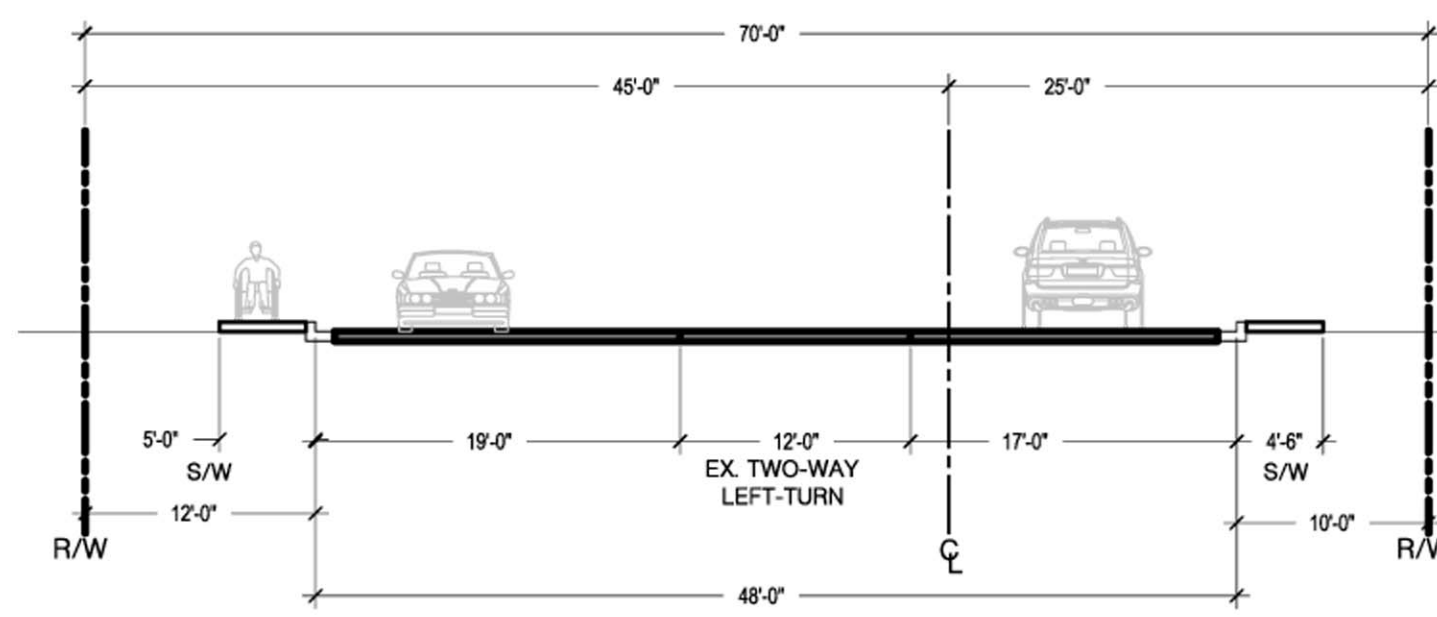




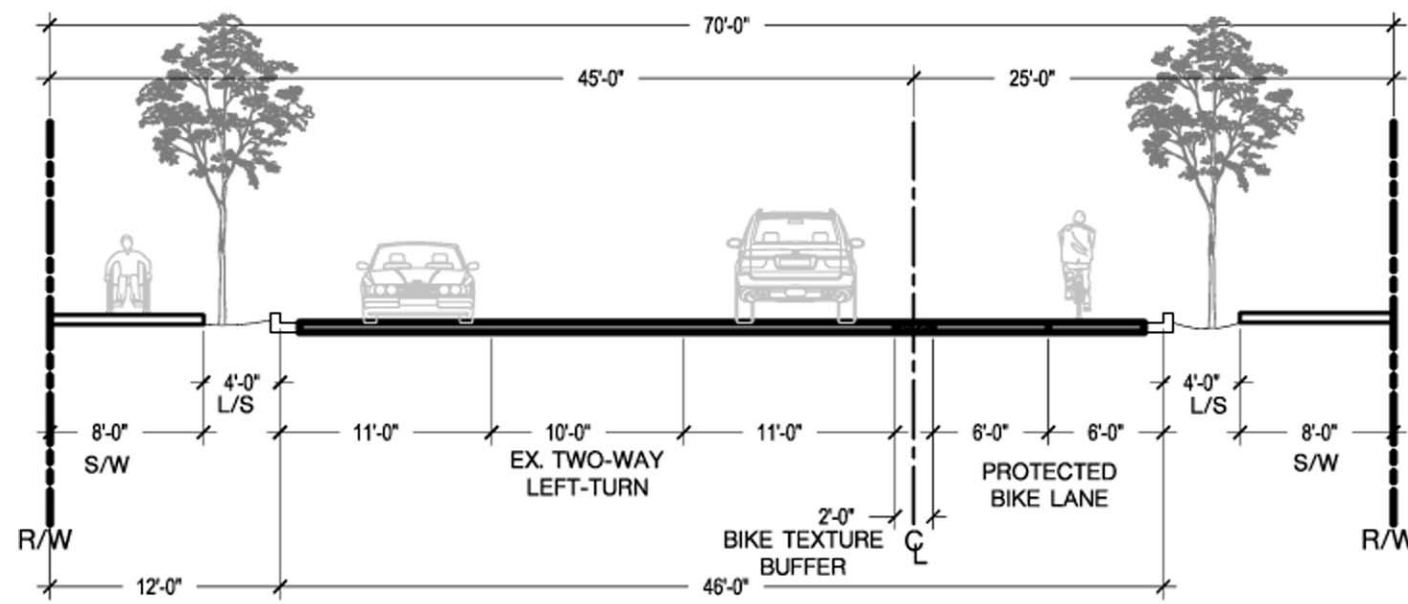
Purple Section

segment Purple existing

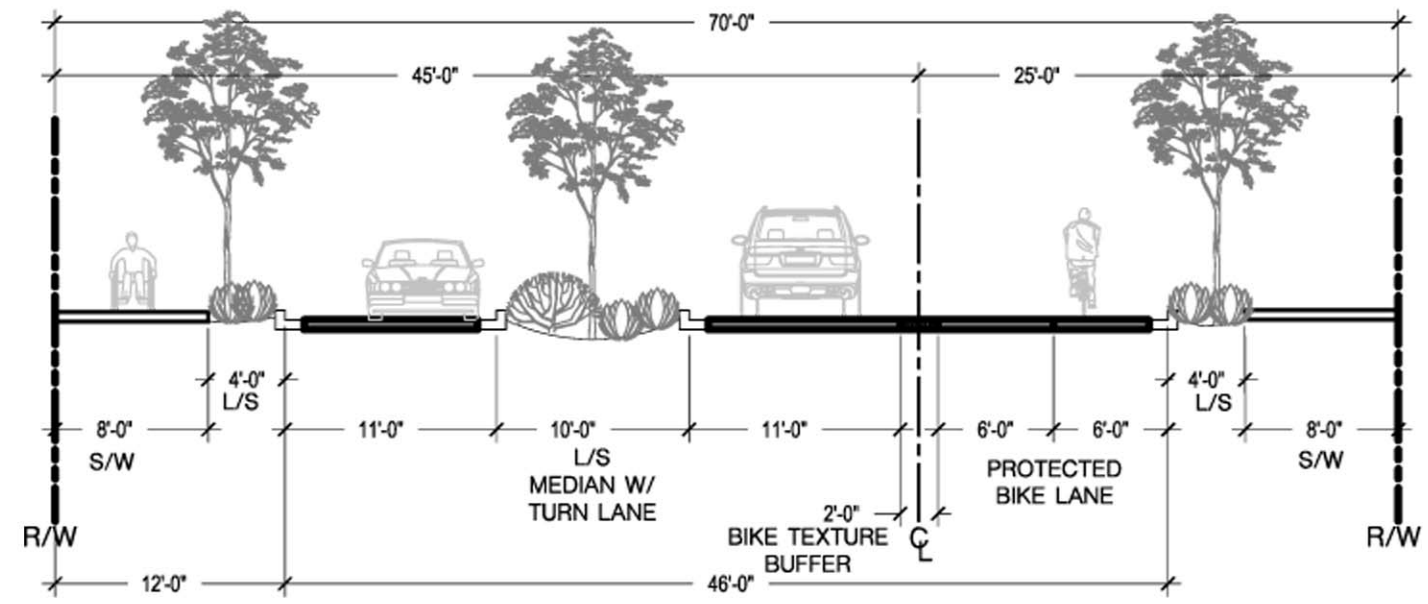


SEGMENT PURPLE EXISTING

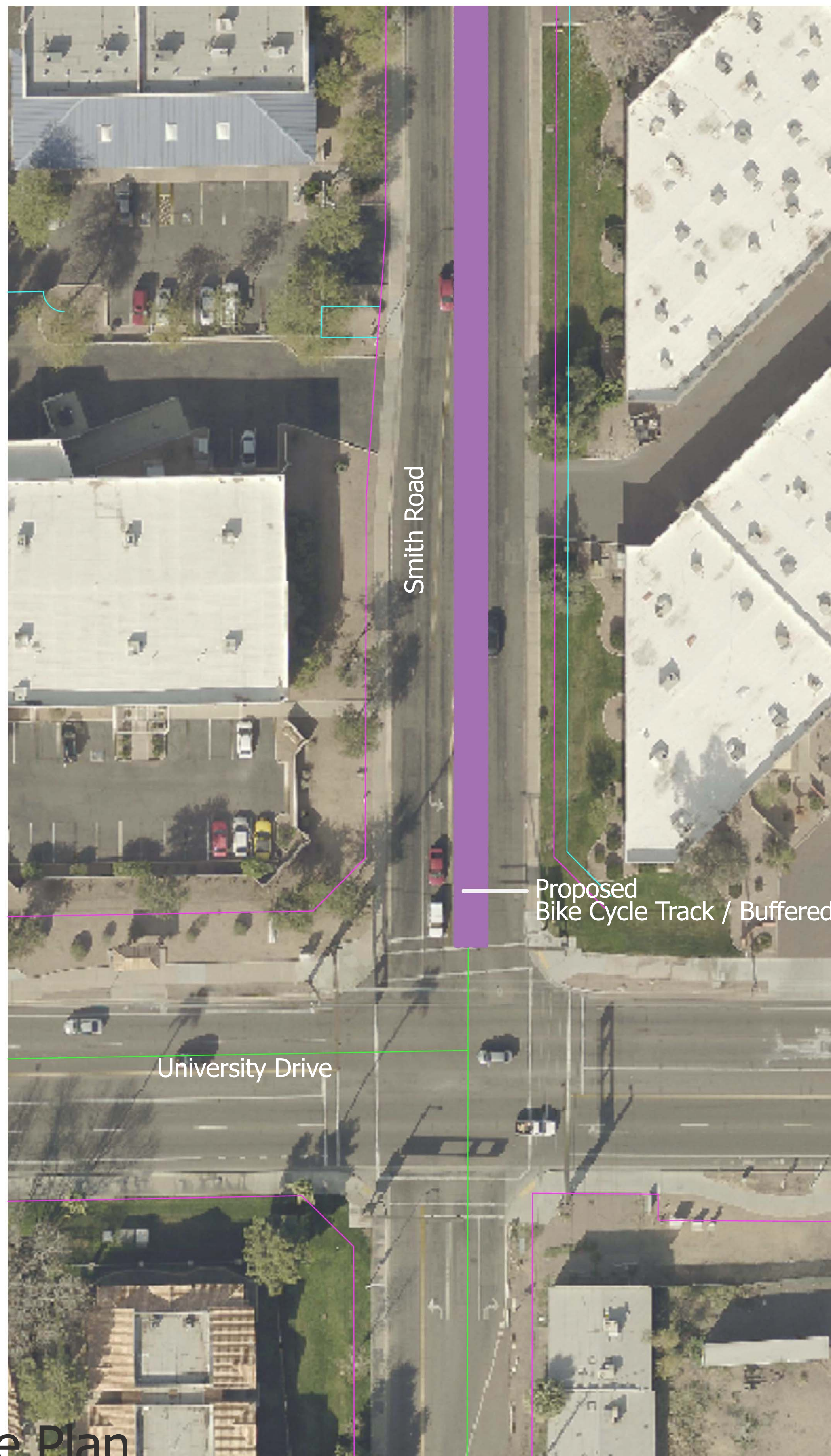
segment Purple proposed



SEGMENT PURPLE ALTERNATIVE



SEGMENT PURPLE ALTERNATIVE - B



Purple Plan Smith Road

70' R/W (45' /25')

