

Agenda Item 3

MEMORANDUM

TO: Historic Preservation Commission
FROM: John Southard, Historic Preservation Officer
DATE: September 13th, 2021
SUBJECT: Agenda Item 3 – Broadway Curve Art Proposal Presentation – ADOT



Dr. Will Russell, Arizona Department of Transportation Cultural Resources Program Major Projects Manager, will provide an overview of art proposed for the Interstate 10 Broadway Curve project. Consultation materials received by the Tempe Historic Preservation Office are attached.

June 15, 2021

In Reply Refer To:

010-C(220)T
TRACS No. 010 MA 161 F0072 01D
I-10, I-17 to SR 202L (Santan)
Continuing Section 106 Consultation
Scope Change (Aesthetics)
“adverse effect”

Mr. John L. Southard, Historic Preservation Officer
City of Tempe
Community Development Department, P.O. Box 5002
Tempe, Arizona 85280

Dear Mr. Southard:

The Arizona Department of Transportation (ADOT) is planning improvements to a segment of Interstate 10 (I-10) between Interstate 17 and State Route 202L, in Maricopa County, Arizona. The project is situated within rights-of-way (ROWs) owned by ADOT, the City of Chandler (Chandler), the City of Tempe (Tempe), the City of Phoenix (Phoenix), the Town of Guadalupe (Guadalupe), the Bureau of Reclamation (BOR) and private entities. Salt River Project (SRP) also maintains an easement within the project area. That portion of the project area discussed herein is located in Sections 20 and 29 of Township 1 North, Range 4 East, relative to the Gila and Salt River Baseline and Meridian, as depicted on U.S. Geological Survey topographic maps (7.5-minute series) of the *Tempe* (AZ) quadrangle. This segment of I-10 is situated between mileposts 152.5 and 153.5.

Consulting parties for this project include ADOT, the Arizona State Museum (ASM), BOR, Chandler, Phoenix Historic Preservation Office, Phoenix Archaeology Section, Tempe, SRP, State Historic Preservation Office (SHPO), Guadalupe, Ak-Chin Indian Community (ACIC), Gila River Indian Community (GRIC), Hopi Tribe, Pascua Yaqui Tribe, the Salt River Pima-Maricopa Indian Community (SRPMIC), Tohono O'odham Nation (TON), Tonto Apache Tribe, White Mountain Apache Tribe, and Yavapai-Apache Nation. For this undertaking, GRIC and SRPMIC are co-leads for the Four Southern Tribes.

Because this project employs federal funds, it is considered an undertaking subject to review under Section 106 (54 USC § 306108) of the National Historic Preservation Act, as amended (54 USC § 300301, *et seq.*) and its implementing regulations (36 CFR Part 800). The environmental review, consultation, and other actions required by applicable federal environmental laws for this

project are being, or have been, carried out by ADOT pursuant to 23 USC § 327 and a memorandum of understanding executed by the FHWA and ADOT on April 16, 2019.

Previous consultation identified the consulting parties, defined the area of potential effects (APE), outlined the general scope of work, described historic properties within the APE, circulated a built environment report for review and comment, determined that a project finding of "adverse effect" was appropriate (Powell [ADOT] to Jacobs [SHPO], August 1, 2019; SHPO concurrence on August 9, 2019), and addressed several scope changes. Consulting parties were provided Attachment 6 (*Resolving Adverse Effects with Standard Conditions*) of the *Statewide Section 106 Programmatic Agreement for Federal-Aid Projects* in lieu of using a project-specific programmatic agreement to resolve adverse effects or potential adverse effects upon cultural resources that could not be avoided by the proposed project. Also provided to consulting parties was an historic properties treatment plan (HPTP; Henderson and Marshall 2020).

ADOT is contacting you now to share patterns and symbols that have been proposed for decorative purposes on sound walls, bridges, and other structures. These include rose blossoms and prickly pear cactus. The remainder derives from, or is similar to, traditional Native American art and material culture. The proposed designs are enclosed here for your review, consideration, and comment.

ADOT understands that certain Native American symbolism is restricted to specific audiences and contexts, and thus may not be appropriate for public display. Symbols may have distinct meanings or referents that are incongruous with the proposed setting. While some contemporary artists are inspired by Native American symbolism, derivative motifs could be nonsensical or inappropriate. All this having been said, ADOT does see the benefits of using appropriate Native American art to showcase the traditions of our state's first residents and their descendants. Before proceeding with the use of these particular designs, ADOT hopes to gather input from our consulting parties. If there are concerns regarding the proposed designs, we hope you will let us know.

Please note that the project area passes by and traverses through a number of archaeological sites and at least one traditional cultural property. Thus, parties may find that certain designs would be acceptable in some places but not in others. ADOT has not yet determined where they would like to place specific designs.

ADOT previously determined that this undertaking, as a whole, would have "adverse effects" upon historic properties. The inclusion of artwork – either in general or specific to the enclosed motifs – would not alter this finding of effect. However, ADOT hopes to develop an aesthetic approach that respectfully pays homage to our state's Native peoples and the landscape wherein the project takes place. To this end, we hope you will consider consulting on the selection of appropriate artwork.

Please review the information provided in this letter and the enclosed plans. If you feel these designs would be acceptable, please indicate your concurrence by signing below. A lack of

response will not be interpreted as an objection. If you are opposed to any of the designs, have questions, or would like to provide input, please contact me at (480) 563-4747 or WRussell3@azdot.gov.

Sincerely,



Will G. Russell, PhD, RPA

Cultural Resources Program Manager for Major Projects

Signature for Tempe concurrence with designs
010-C(220)T

Date

Enclosure

ecc:

Dr. Alex Smith, Deputy Director of Special Projects, City of Tempe, Community Development Department, alex_smith@tempe.gov

F.H.W.A. REGION	STATE	PROJECT NO.	SHEET NO.	TOTAL SHEETS	AS BUILT
9	ARIZ.	010-C(220)S			

010 MA 149

GENERAL NOTES:


1. Dimensions shall not be scaled from drawings.
2. This series of drawings covers only graphics and/or surface treatments that are to be placed on surfaces of herein mentioned components. For specific layout and construction details of walls, abutments, etc, refer to structural and/or civil drawings contained within this document.
3. Concrete barriers receiving rustication shall be fixed form.
4. The developer shall determine the number and size of formliners.
5. The method of securing the formliners to supporting formwork and the use of formliner releasing agents shall comply with the Manufacturer's recommendations.
6. All joint material, fasteners, care and cleaning of liners shall comply with the Manufacturer's Instructions.
7. The method of sealing form joints shall prevent the loss of water during the placement of wet concrete.
8. Concrete shall be placed and consolidated per ADOT standards.
9. Concrete shall be placed and consolidated such as to minimize air and water pockets per ADOT standards.
10. Forms and liners shall be removed such as to minimize damage to final finish surfaces and textural impressions.
11. The developer shall submit shop drawings of all aesthetic patterns and fabrication details for approval by ADOT prior to fabrication.
12. All wall and abutment surfaces shall receive rustication unless noted otherwise.
13. All surfaces are to receive paint as noted on details, see the Project Special Provisions for Construction.
14. The paint colors to be used, see legend this sheet.
15. All concrete surfaces shall be as specified on plans and details in accordance with the contract requirements.
16. Rustication patterns shall extend a minimum of 2'-0" below finish grade or to top of foundation, unless otherwise noted.
17. Paint shall extend a minimum of 2'-0" below finish grade or to top of foundation, unless otherwise noted.
18. Developer shall paint rustication as per Section 800 of the Technical Provisions.
19. Paint numbers shown are for paint color reference and color samples only. The developer may apply any paint brand name, or trademark such as Sherwin Williams (Frazee) or Dunn Edwards as long as they demonstrate equivalent color effects as per the technical provisions and obtain approval from ADOT.
20. Where new bridge barrier abuts existing Jersey barrier, the existing barrier shall be re-painted for a minimum longitudinal distance of 100 feet, extending to the next full construction joint of the existing structure, to create a paint color transition.
21. Where new noise wall abuts existing noise wall, the existing noise wall shall be re-painted for a minimum longitudinal distance of 100 feet, extending to the next full construction joint of the existing structure, to create a paint color transition.
22. Developer shall paint the back (non-traffic side) of all new half barrier.
23. The developer shall submit full size concrete mock-ups of all icons and patterns to ADOT, for review and approval prior to construction.
24. Developer to field verify all dimensions/ layout.

PAINT COLOR LEGEND				
SYMBOL	COLOR	NUMBER	FINISH	DESCRIPTION
B1	Federal ID No. 30318 'ADOT Tan'	30318	Flat	Base Color- Corridor Wide
B2	Federal ID No. 30318 'ADOT Tan'	30318	Semi-Gloss	Base Color- Ped. Fence
A1	Sherwin Williams/ Frazee 'Neretic'	CLV1104N	Gloss	Accent Color- Corridor Wide
A2	Sherwin Williams/ Frazee 'Black Deco'	AC144N	Gloss	Light Weight Sound Wall
A3	Sherwin Williams/ Frazee 'Deauville' *	5284D	Gloss	Guadalupe Accent Color
A4	TBD	TBD	Semi-Gloss	Safety Hand Rail

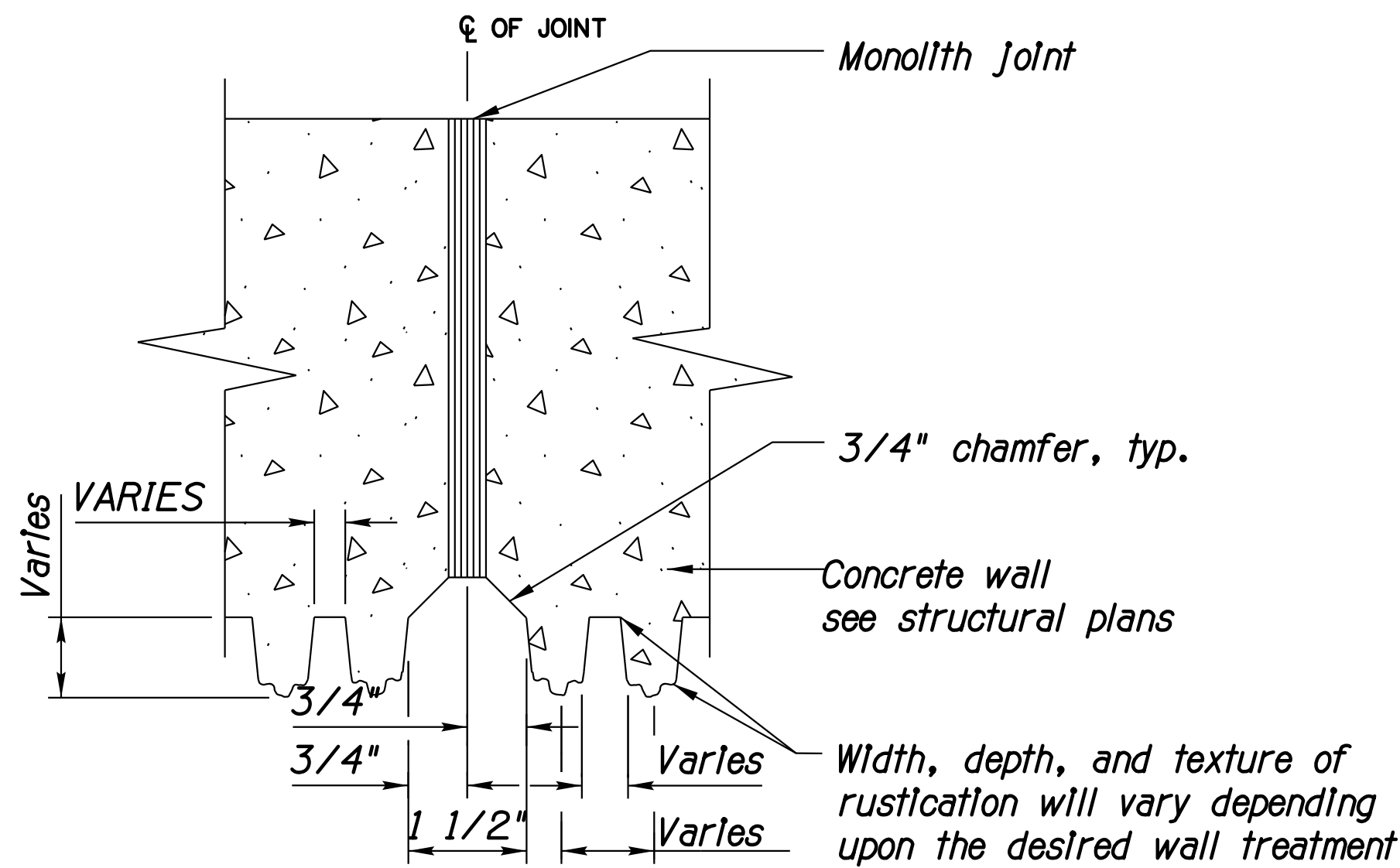
* Pending Final Approval from ADOT

Plot Driver: ...IPLOT\bin\iplotdrv.plt
 Workspace: SURVEY NO.
 FINISHED PLANS
 REVISIONS-
 LOCATION-
 DATE-
 SURVEY NO.
 REVISIONS-
 PenTable: AzDOT_BW_Full.tbl
 LOCATION-
 REVISIONS-
 DATE-
 SURVEY NO.

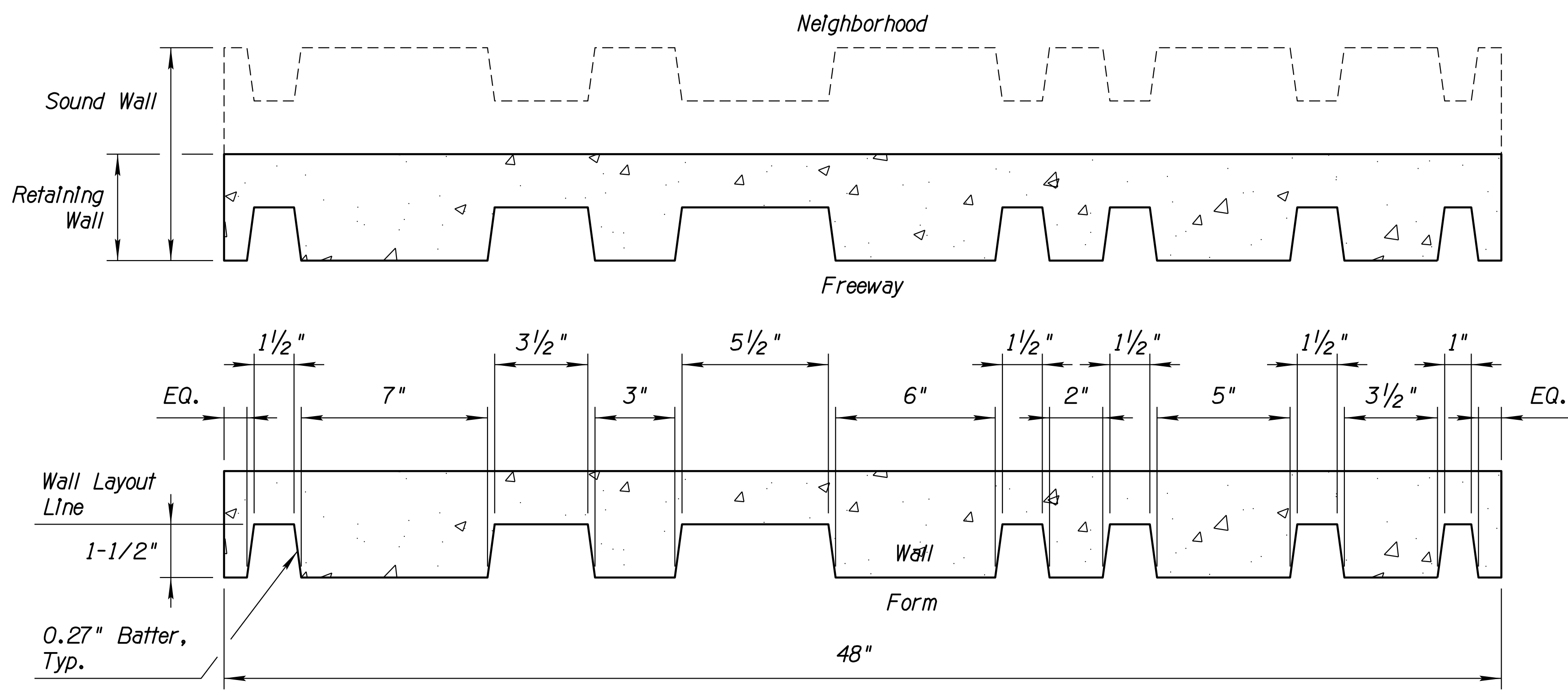
AZDOT_BW_FULL.TBL
 ... \DMS00093\AZDOT_BW_FULL.TBL
 IPLOTDRM.PLT
 ... \IPLOT\BIN\IPLOTDRM.PLT

REV	DATE	DESCRIPTION	BY	NAME	DATE	ARIZONA DEPARTMENT OF TRANSPORTATION INFRASTRUCTURE DELIVERY AND OPERATIONS DIVISION ROADSIDE DEVELOPMENT SERVICES	PRELIMINARY DESIGN Review NOT FOR CONSTRUCTION OR RECORDING DWG NO. AE-010.001
				DESIGN JSP	06-21		
				DRAWN J2CAD	06-21		
				CHECKED GD	06-21		
				 J2 Engineering and Environmental Design 4649 East Cotton Gin Loop, Suite B2 Phoenix, Arizona 85040 Phone: 602.438.2221 www.j2design.us		BRIDGE & WALL AESTHETIC GENERAL NOTES	
				ROUTE I-10	LOCATION I-17 (SPLIT) TO SR202L (SANTAN)		
PULICE > FNF > FLATIRON JOINT VENTURE				TRACS NO. F0072 01C		010-C(220)S	

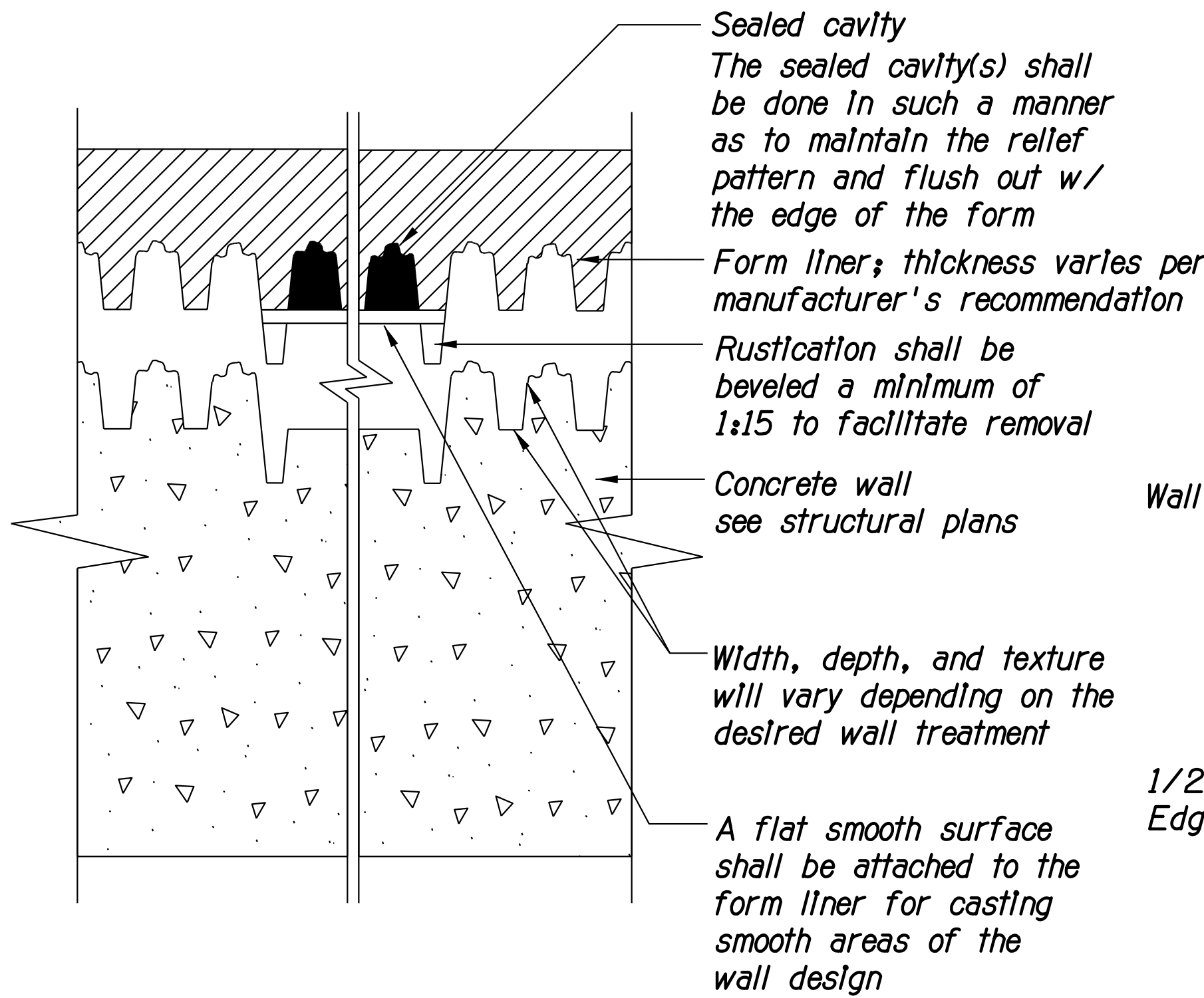
F.H.W.A. REGION	STATE	PROJECT NO.	SHEET NO.	TOTAL SHEETS	AS BUILT
9	ARIZ.	010-C(220)S			
010 MA 149					



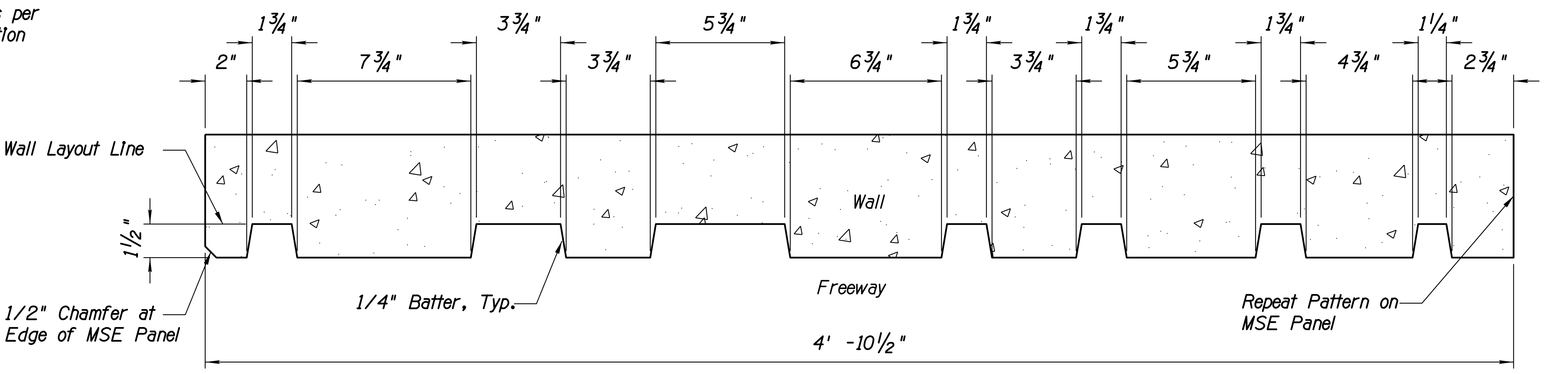
A FINISH @ TYP. MONOLITH JOINT
SCALE: N.T.S.



CAST-IN-PLACE WALL



C TYPICAL SECTION THROUGH WALL CASTING
SCALE: N.T.S.



MSE WALL

Notes:
1. Rustication shall have a smooth finish.

DETAIL D102 NTS
RANDOM VERTICAL RUSTICATION

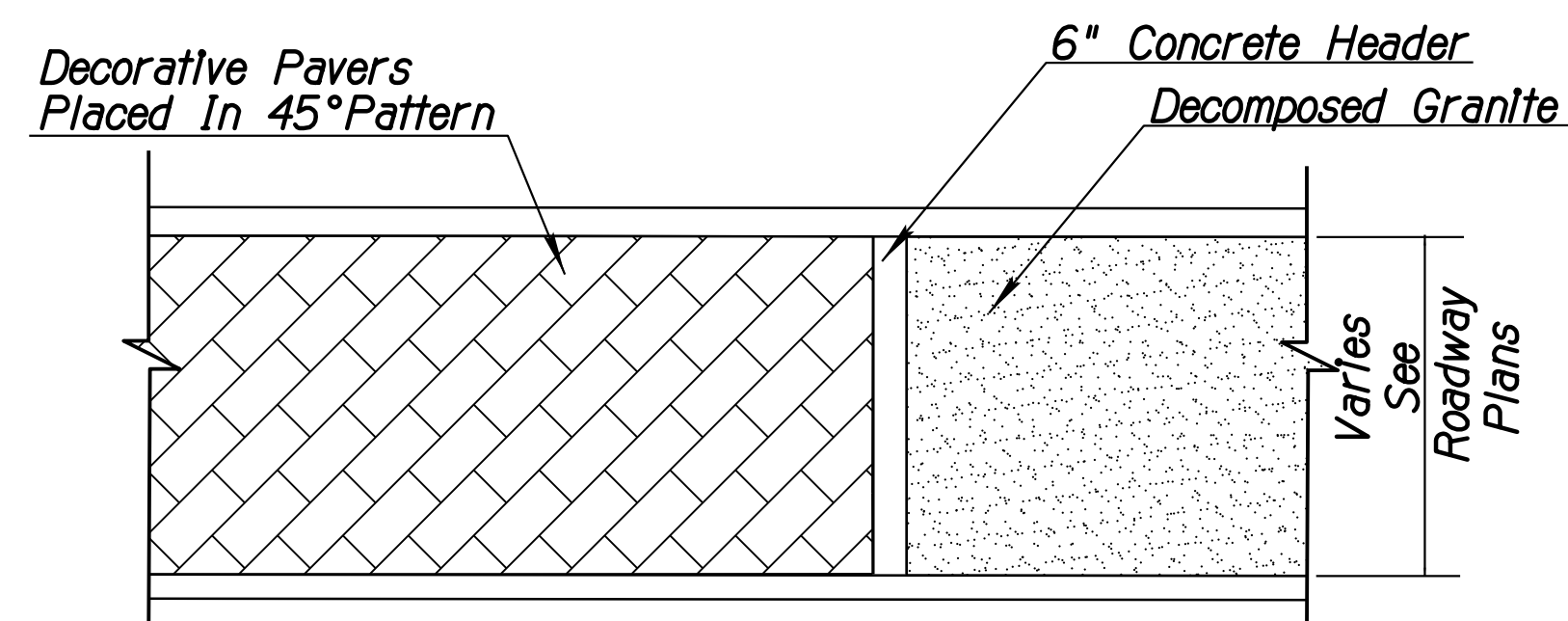
DETAIL D101
STANDARD RUSTICATION WALL DETAILS

REV	DATE	DESCRIPTION	BY	NAME	DATE	ARIZONA DEPARTMENT OF TRANSPORTATION INFRASTRUCTURE DELIVERY AND OPERATIONS DIVISION ROADSIDE DEVELOPMENT SERVICES	PRELIMINARY DESIGN Review NOT FOR CONSTRUCTION OR RECORDING DWG NO. AE-020.001	
				DESIGN	JSP			06-21
				DRAWN	J2CAD			06-21
				CHECKED	GD	06-21		
 J2 Engineering and Environmental Design 4649 East Cotton Gin Loop, Suite B2 Phoenix, Arizona 85040 Phone: 602.438.2221 www.j2designus.com						PROJECT WIDE AESTHETIC DETAILS		
PULICE ▶ FNF ▶ FLATIRON JOINT VENTURE		ROUTE I-10 LOCATION I-17 (SPLIT) TO SR202L (SANTAN)						
		TRACS NO. F0072 01C		010-C(220)S		OF		

Workspace: ...IPLOT\bin\iplotdrv.plt
 Plot Driver: ...IPLOT\bin\iplotdrv.plt
 PLOTTABLE: AZDOT_BW_Full.tbl
 LOCATION: ...
 REVISIONS: ...
 SURVEY NO.: ...
 FINISHED PLANS: ...
 DATE: ...
 SURVEY NO.: ...
 REVISIONS: ...
 AZDOT_BW_FULL.TBL
 ... \DMS00093\AZDOT_BW_FULL.TBL
 IPLOT\BIN\IPLOTDRV.PLT

F.H.W.A. REGION	STATE	PROJECT NO.	SHEET NO.	TOTAL SHEETS	AS BUILT
9	ARIZ.	010-C(220)S			

010 MA 149



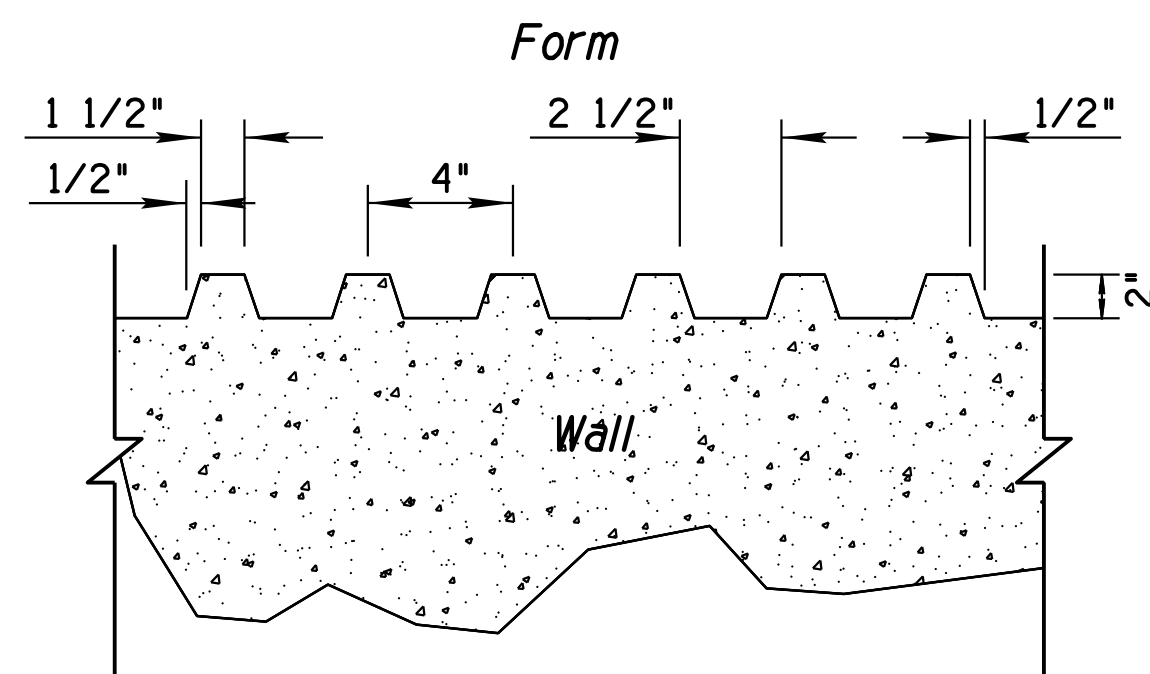
PAVER COLOR CHART
*Pavers To Be Full Width Of Medians Where Required

COLOR 1	TBD
---------	-----

- Header Notes:**
- Concrete Header Only to Be Used at Locations Where Pavers are Adjacent to Exposed Soil or Granite Landscape Areas
 - Install Pavers Per ADOT C-Standard Detail C-05.40.

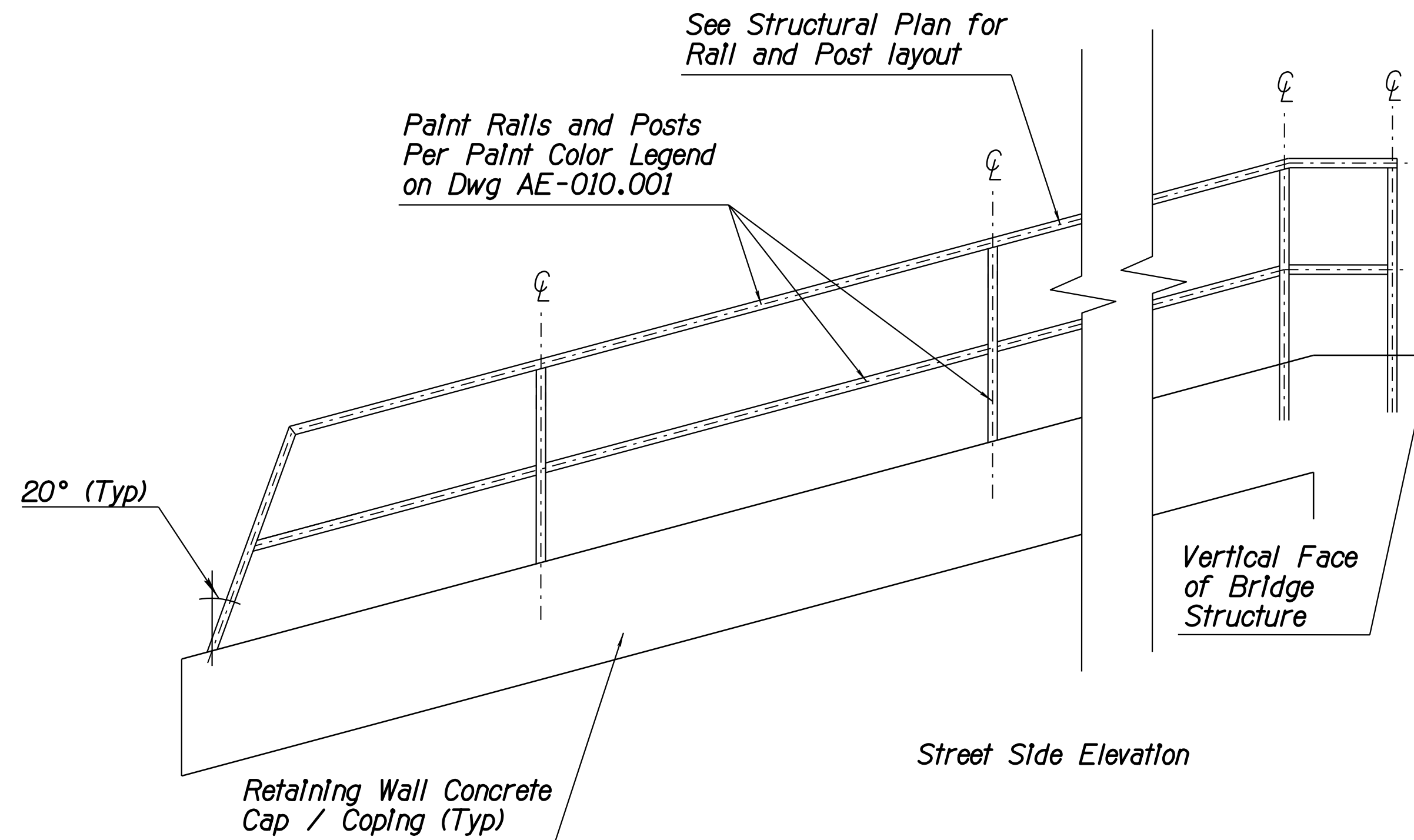
DETAIL D103 NTS

DECORATIVE MEDIAN PAVERS



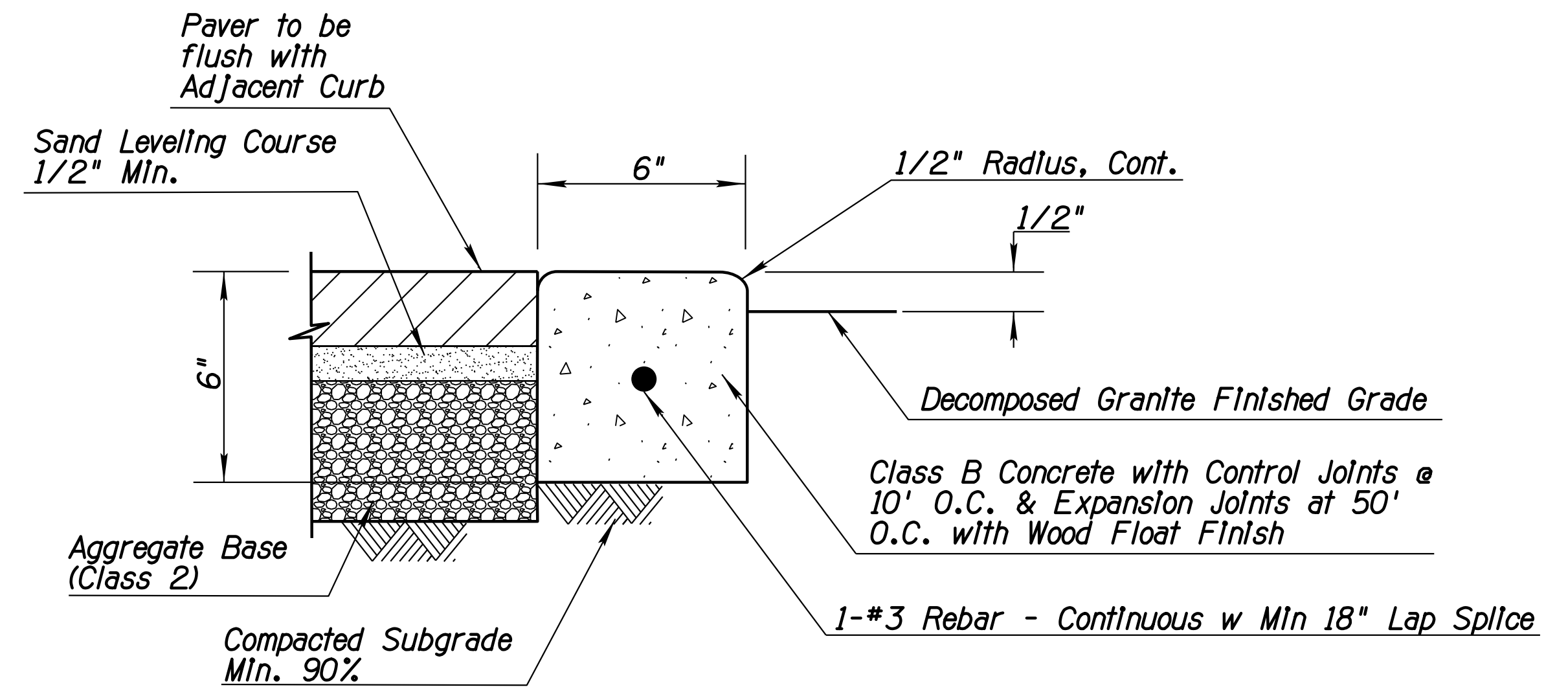
DETAIL D105 NTS

EVEN VERTICAL RUSTICATION



DETAIL D104 NTS

SAFETY HANDRAIL



DETAIL D106 NTS

6" CONCRETE HEADER CURB

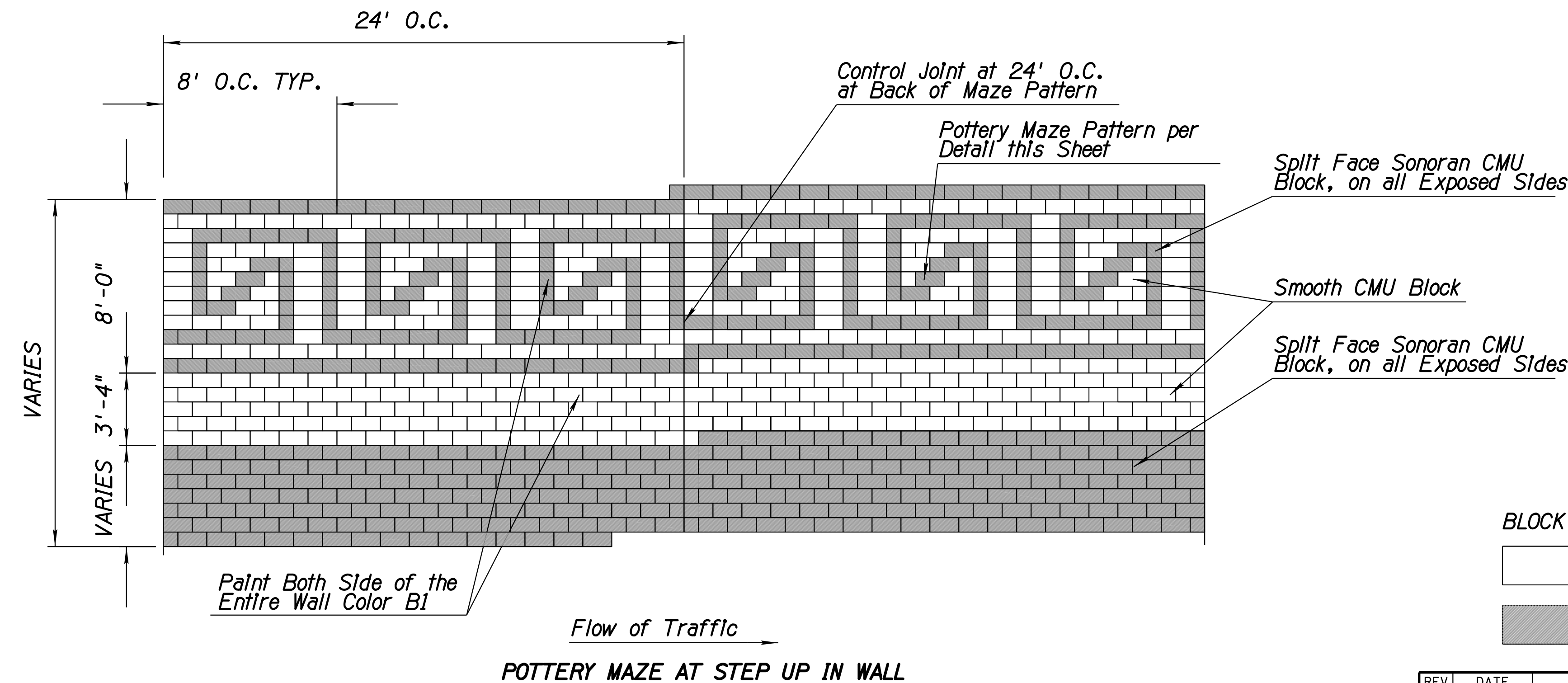
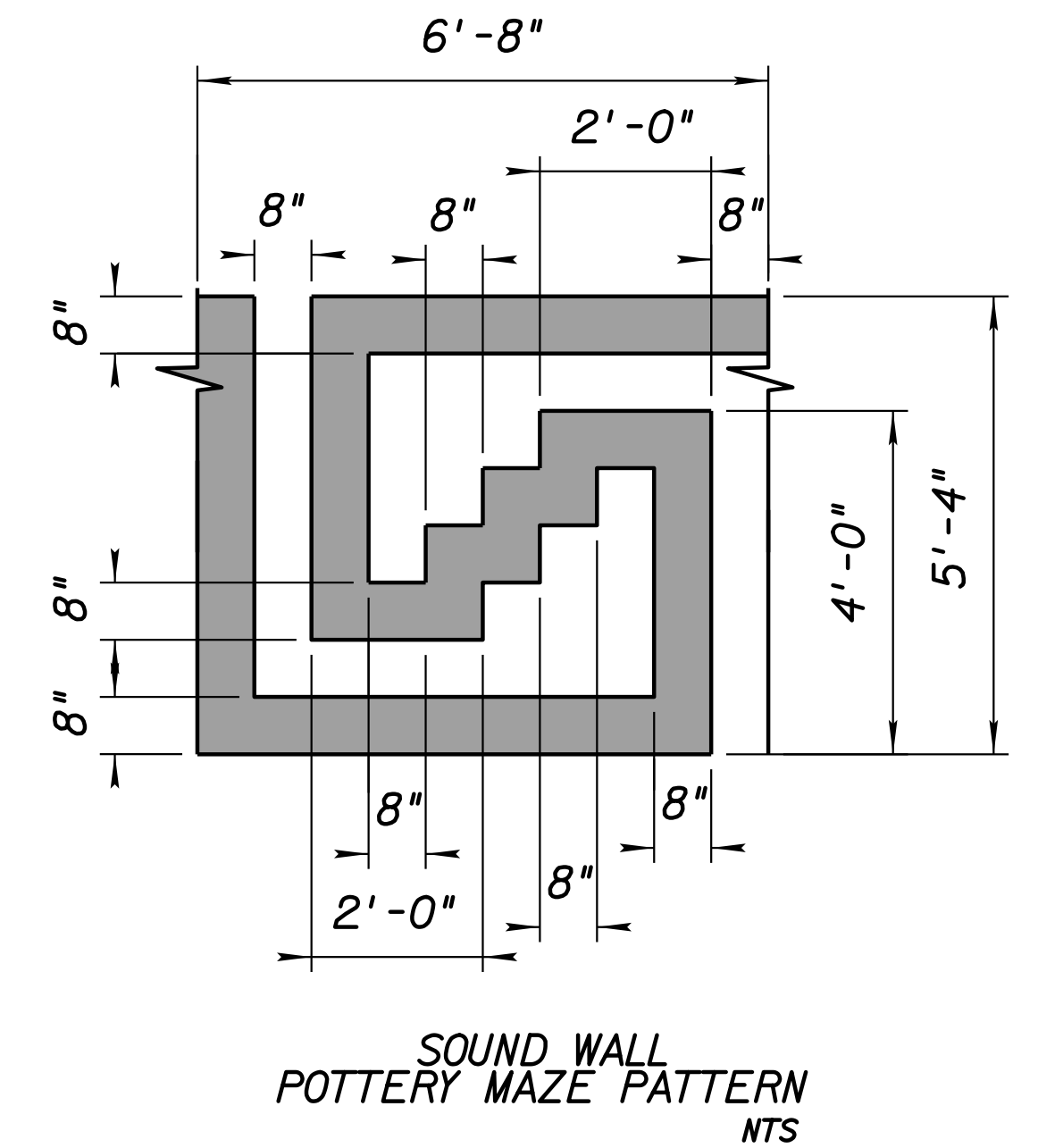
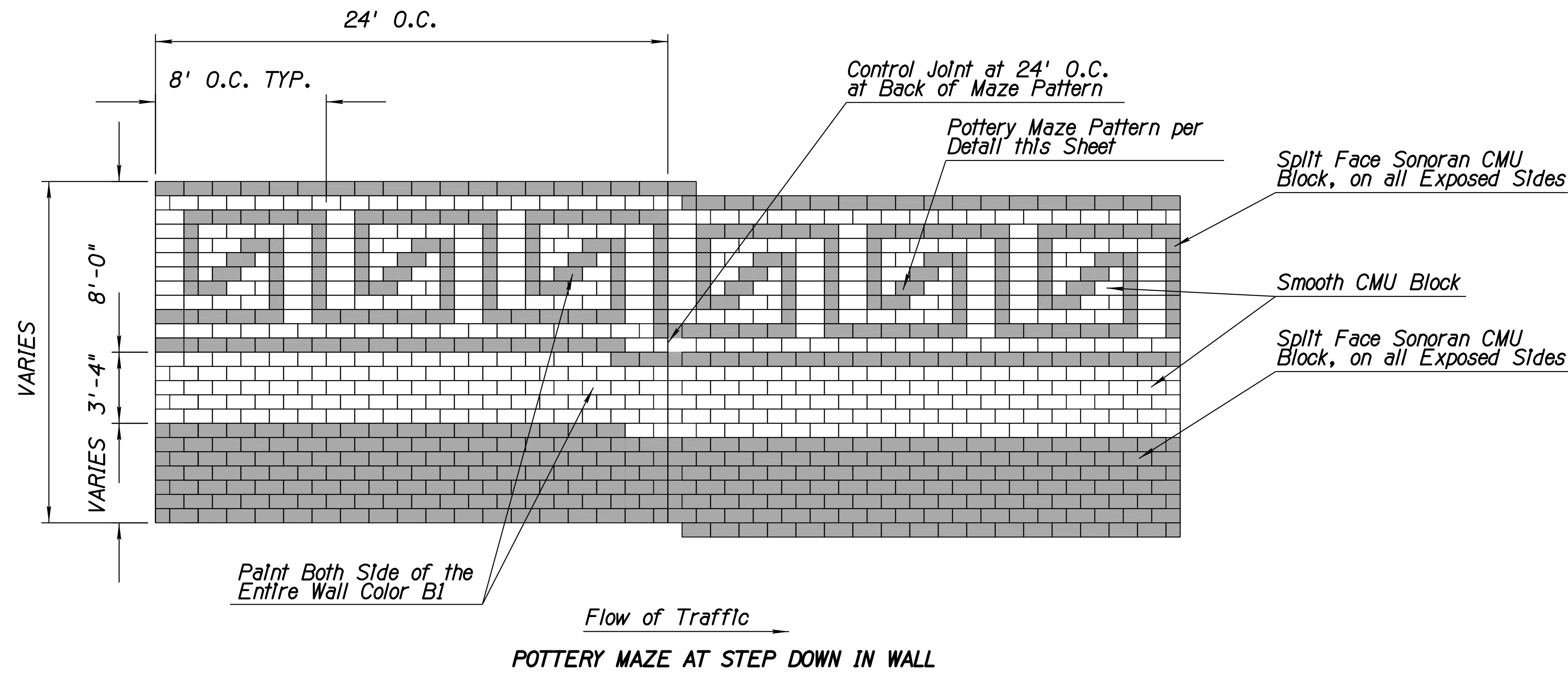
REV	DATE	DESCRIPTION	BY	NAME	DATE	ARIZONA DEPARTMENT OF TRANSPORTATION INFRASTRUCTURE DELIVERY AND OPERATIONS DIVISION ROADSIDE DEVELOPMENT SERVICES	PRELIMINARY DESIGN Review NOT FOR CONSTRUCTION OR RECORDING
				DESIGN	JSP	06-21	PROJECT WIDE AESTHETIC DETAILS
				DRAWN	J2CAD	06-21	
				CHECKED	GD	06-21	
						J2 Engineering and Environmental Design 4649 East Cotton Gin Loop, Suite B2 Phoenix, Arizona 85040 Phone: 602.438.2221 www.j2design.us	
		ROUTE		LOCATION			
		I-10		I-17 (SPLIT) TO SR202L (SANTAN)		DWG NO. AE-020.002	
PULICE ▶ FNF ▶ FLATIRON JOINT VENTURE						TRACS NO. F0072 01C	010-C(220)S
							OF

Plot Driver: ...IPLOT\bin\iplotdrv.mpl
 LOCATION: ...AZDOT_BW_FULL.tbl
 REVISIONS: ...AZDOT_BW_FULL.tbl
 FINISHED PLANS: ...AZDOT_BW_FULL.tbl
 SURVEY NO.: ...AZDOT_BW_FULL.tbl

AZDOT_BW_FULL.tbl
 ...AZDOT_BW_FULL.tbl
 IPLOT\BIN\IPLOTDRV.MPL

F.H.W.A. REGION	STATE	PROJECT NO.	SHEET NO.	TOTAL SHEETS	AS BUILT
9	ARIZ.	010-C(220)S			

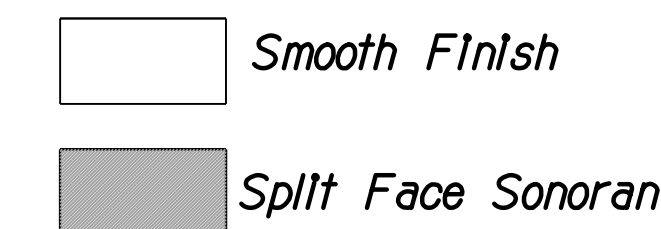
010 MA 149



General Notes:

1. See Dwg AE-010.001 for Paint Color Legend.
2. Maze Pattern to be Laid out so that the Flow of Traffic 'Climbs Up the Steps' of the Maze Pattern.
3. The New Noise Barrier at Priest Ramp D shall be Regular Split Face Block at the Base and for the Maze Pattern to Match Existing Adjacent Noise Barrier.

BLOCK LEGEND



DETAIL D107 NTS

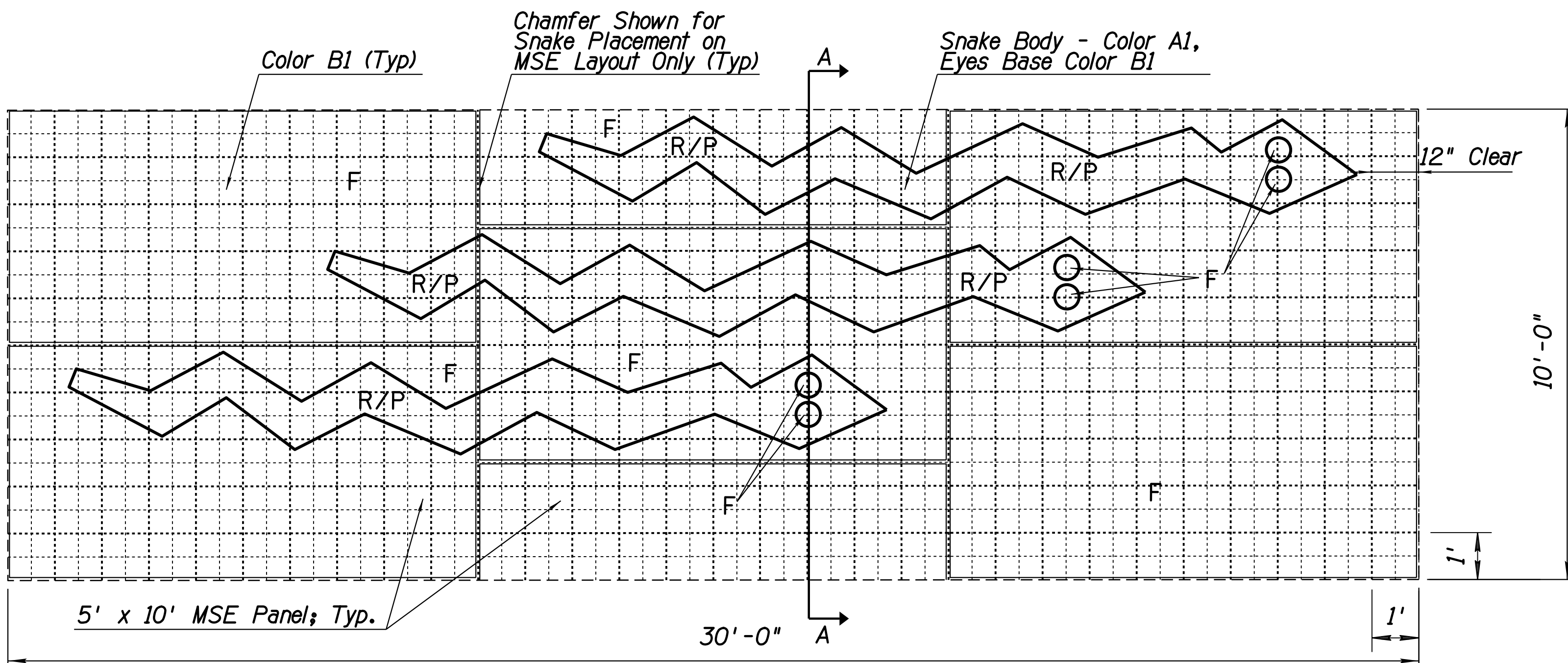
CMU MASONRY SOUND WALL

REV	DATE	DESCRIPTION	BY	NAME	DATE	ARIZONA DEPARTMENT OF TRANSPORTATION INFRASTRUCTURE DELIVERY AND OPERATIONS DIVISION ROADSIDE DEVELOPMENT SERVICES	PRELIMINARY DESIGN Review NOT FOR CONSTRUCTION OR RECORDING DWG NO. AE-020.003
				DESIGN	JSP	06-21	PROJECT WIDE AESTHETIC DETAILS
				DRAWN	J2CAD	06-21	
				CHECKED	GD	06-21	
				 4649 East Cotton Gin Loop, Suite B2 Phoenix, Arizona 85040 Phone: 602.438.2221 www.j2design.us			
				ROUTE	I-10	LOCATION	I-17 (SPLIT) TO SR202L (SANTAN)
PULICE ▶ FNF ▶ FLATIRON JOINT VENTURE				TRACS NO. F0072 OIC		010-C(220)S	OF

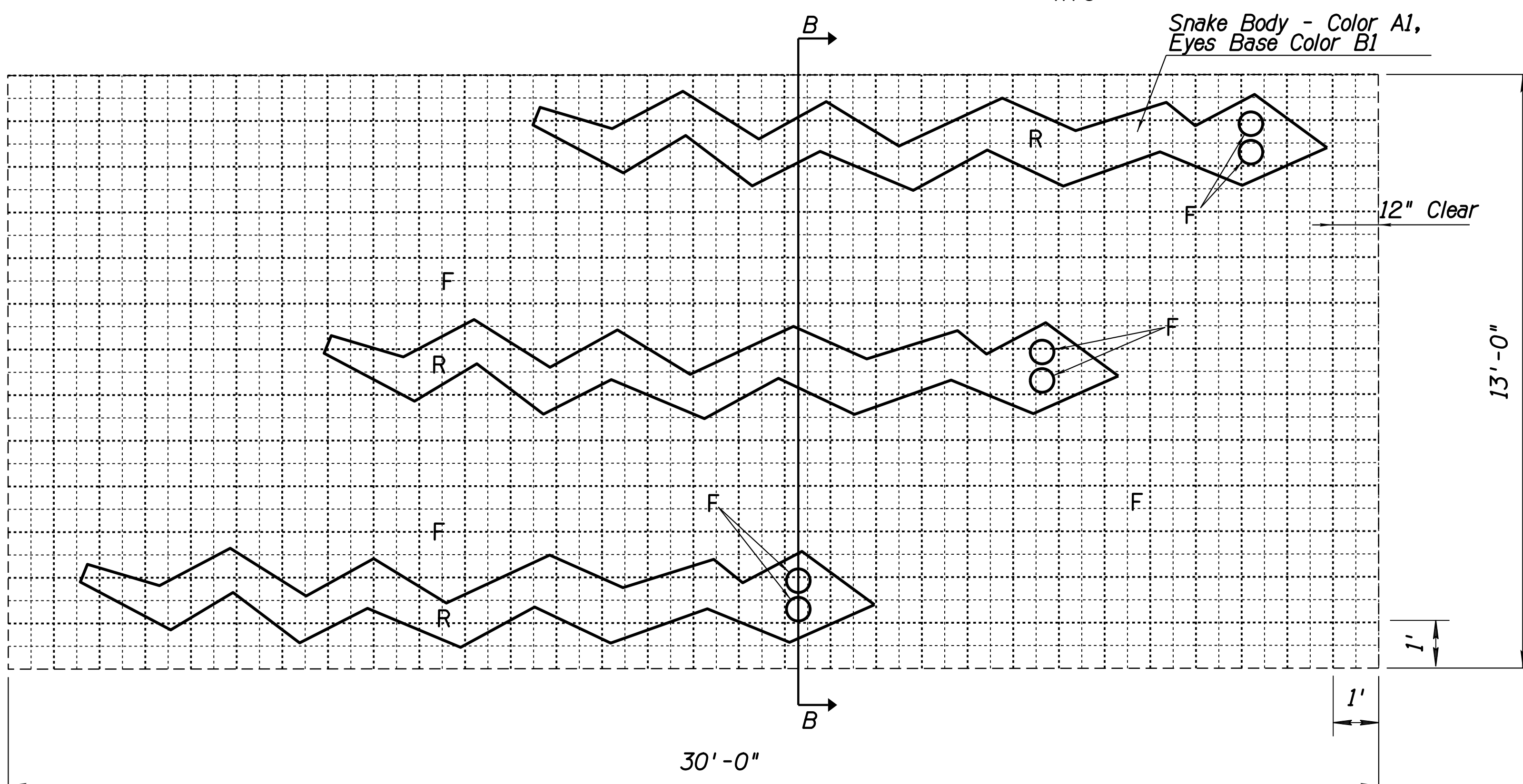
Workspace: ... \PLOT\BIN\IPL0TDRVM.PLT
 SURVEY NO.
 FINISHED PLANS
 REVISIONS-
 DATE-
 PLOT DRIVER: ... \PLOT\BIN\IPL0TDRVM.PLT
 SURVEY NO.
 REVISIONS-
 LOCATION-
 AZDOT_BW_FULL.TBL
 ... \DMS00093\AZDOT_BW_FULL.TBL
 AZDOT_BW_FULL.TBL
 ... \PLOT\BIN\IPL0TDRVM.PLT

Plot Driver: ...IPLOT\bin\iplotdrv.mpl
 Survey No. 010 MA 149
 Location: ...AZDOT\BWIN\IPLOTDRM\PLT
 Revisions: FINISHED PLANS
 PenTable: AzDOT_BW_Full.tbl
 Location: ...AZDOT\BWIN\IPLOTDRM\PLT

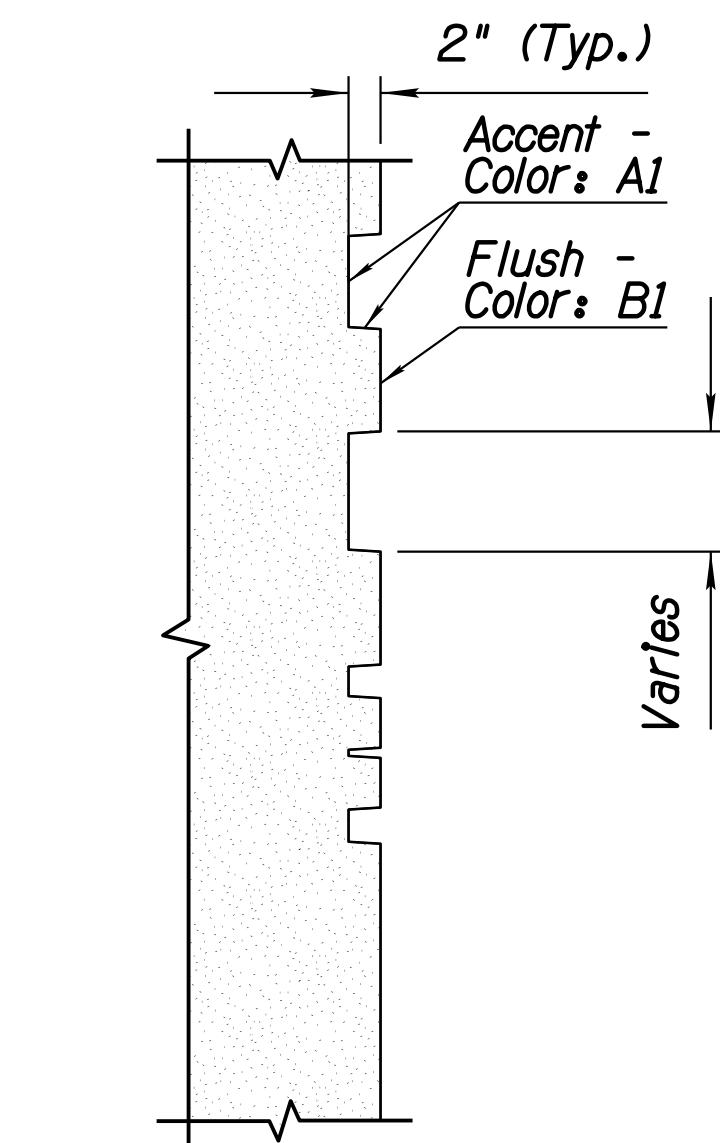
F.H.W.A. REGION	STATE	PROJECT NO.	SHEET NO.	TOTAL SHEETS	AS BUILT
9	ARIZ.	010-C(220)S			
010 MA 149					



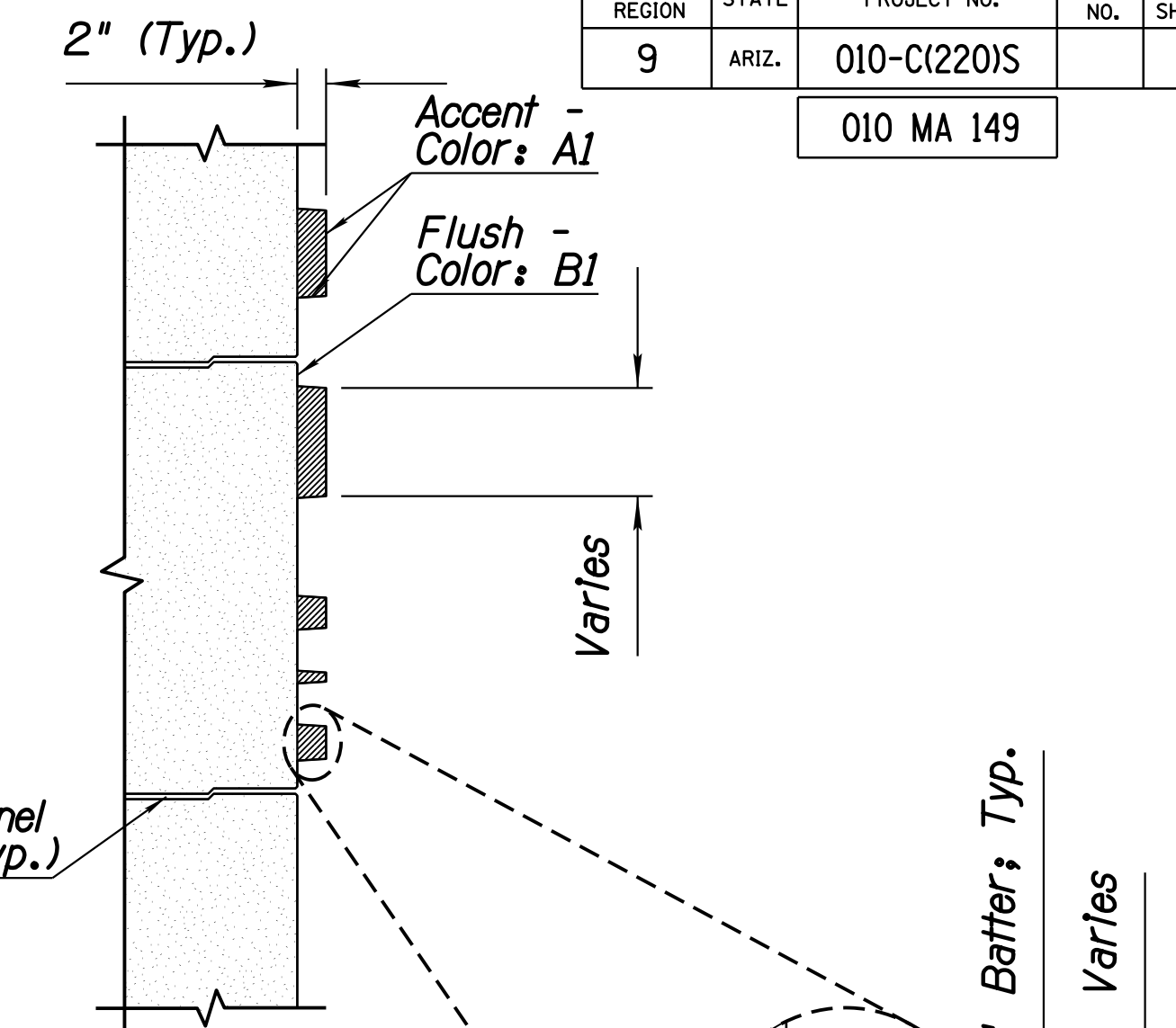
Snake Rustication - Close Grouping NTS



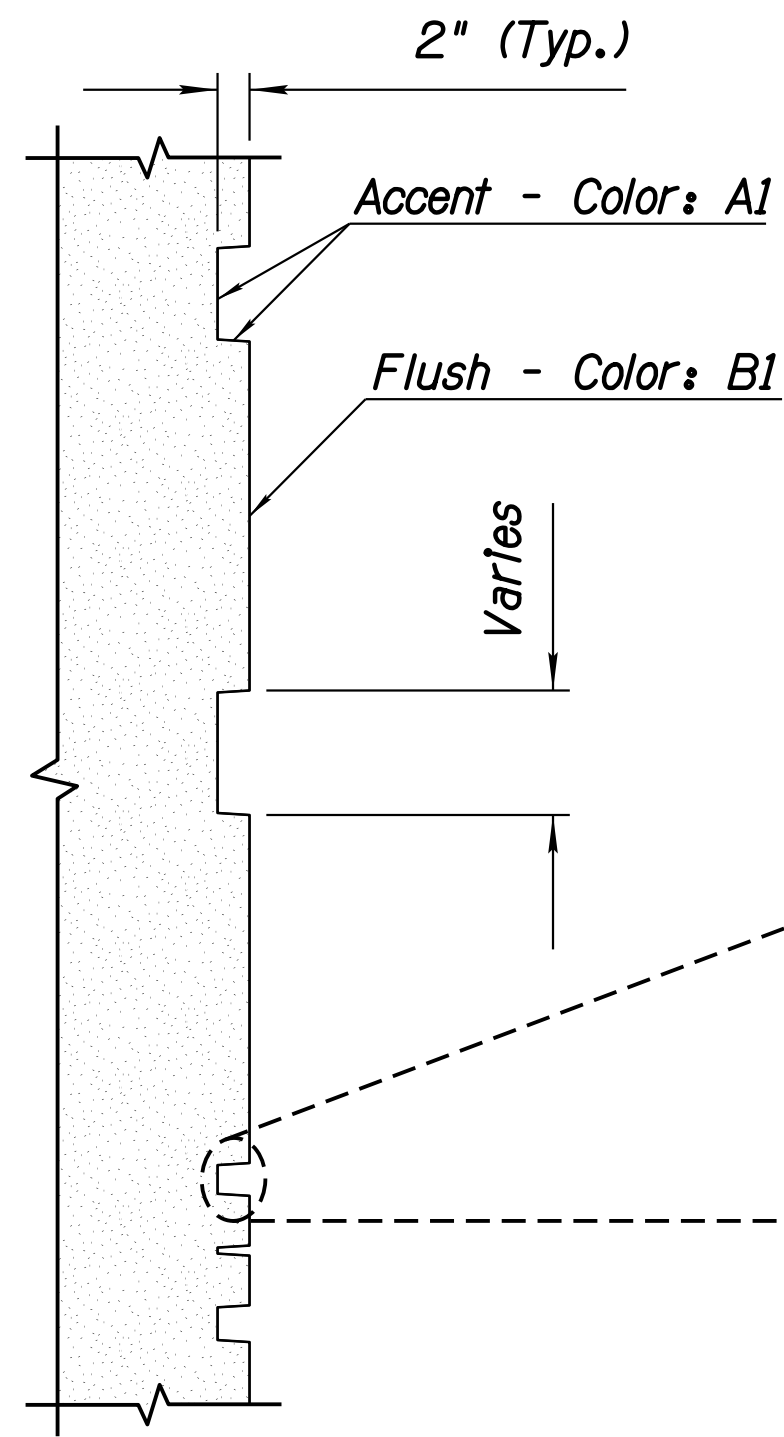
Snake Rustication - Wide Grouping NTS



C.I.P. CONCRETE (RECESSED) SECTION 'A' NTS



M.S.E. PANEL (PROTRUDED) SECTION 'A' NTS



SECTION 'B' NTS

PROTRUDED ENLARGEMENT NTS

RECESS ENLARGEMENT NTS

LEGEND:
 F = Flush
 R = 2" Recess (C.I.P.)
 P = 2" Protruded (M.S.E.)

PAINT COLOR LEGEND:
 Base Paint - Color B1
 Accent Paint - Color A1

CHARACTER AREA 1 NOTES: SNAKES

1. A Snake Pattern Consists of (3) Snakes As Shown On This Sheet and Spaced Horizontally Within 40 LF. A Grouping (3) Snake Patterns Occurs Within 150 LF of Wall.
2. Walls 150 LF or Longer Shall Receive a Minimum of (1) Grouping. Repeat the (3) Snake Pattern Groupings at an Average Distance of 700 LF Between Groupings. Horizontal Adjustments 100 LF +/- Between Groupings for Site Conditions and as Approved by ADOT.

RUSTICATION NOTES:

1. Use Close Grouping Snake Pattern on Stub Abutment and Walls under 15' HT.
2. Use Close Grouping Snake Pattern on MSE Walls.
3. When Barrier Is Present Measure Wall Height for Aesthetics From TOP of Barrier.

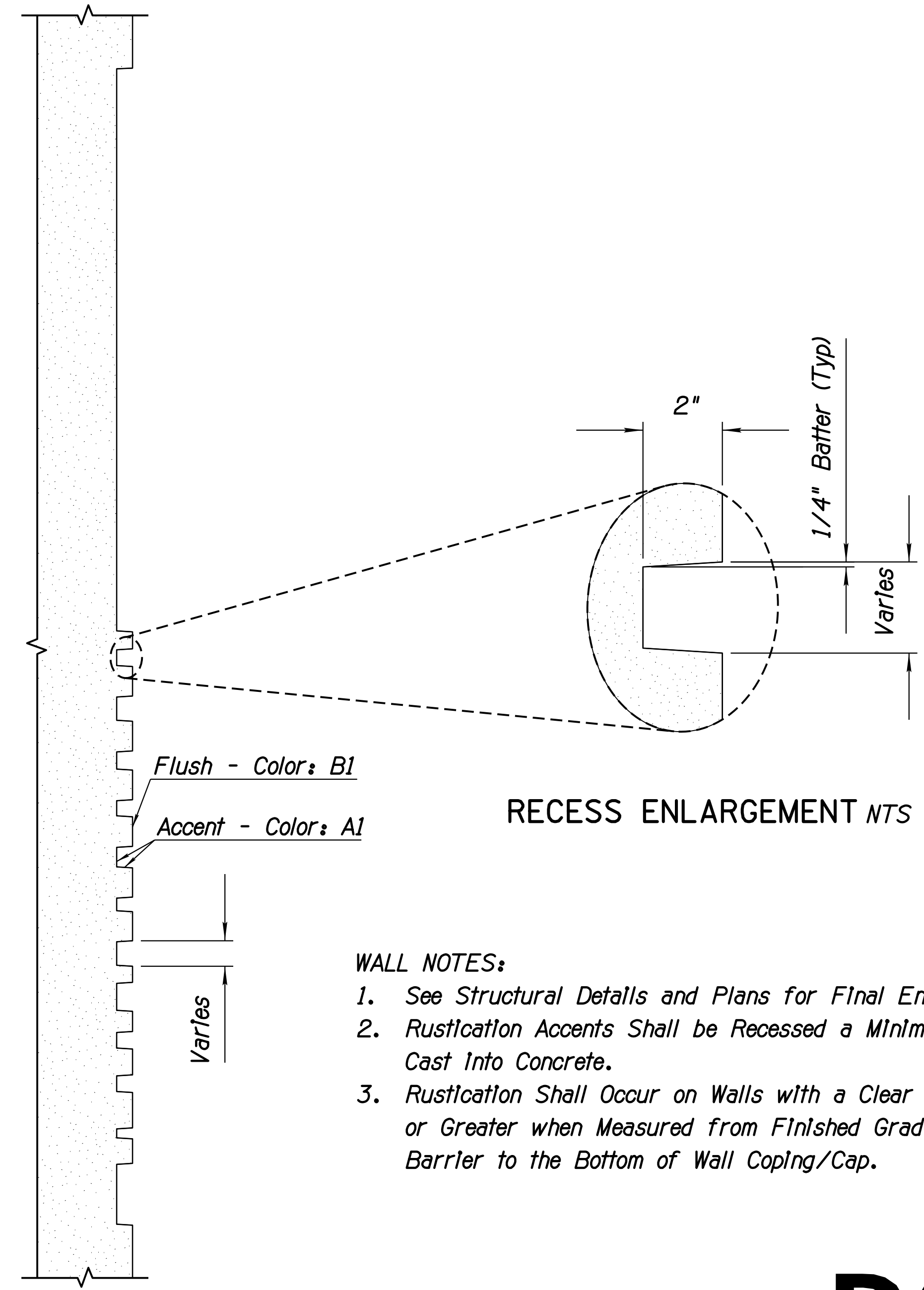
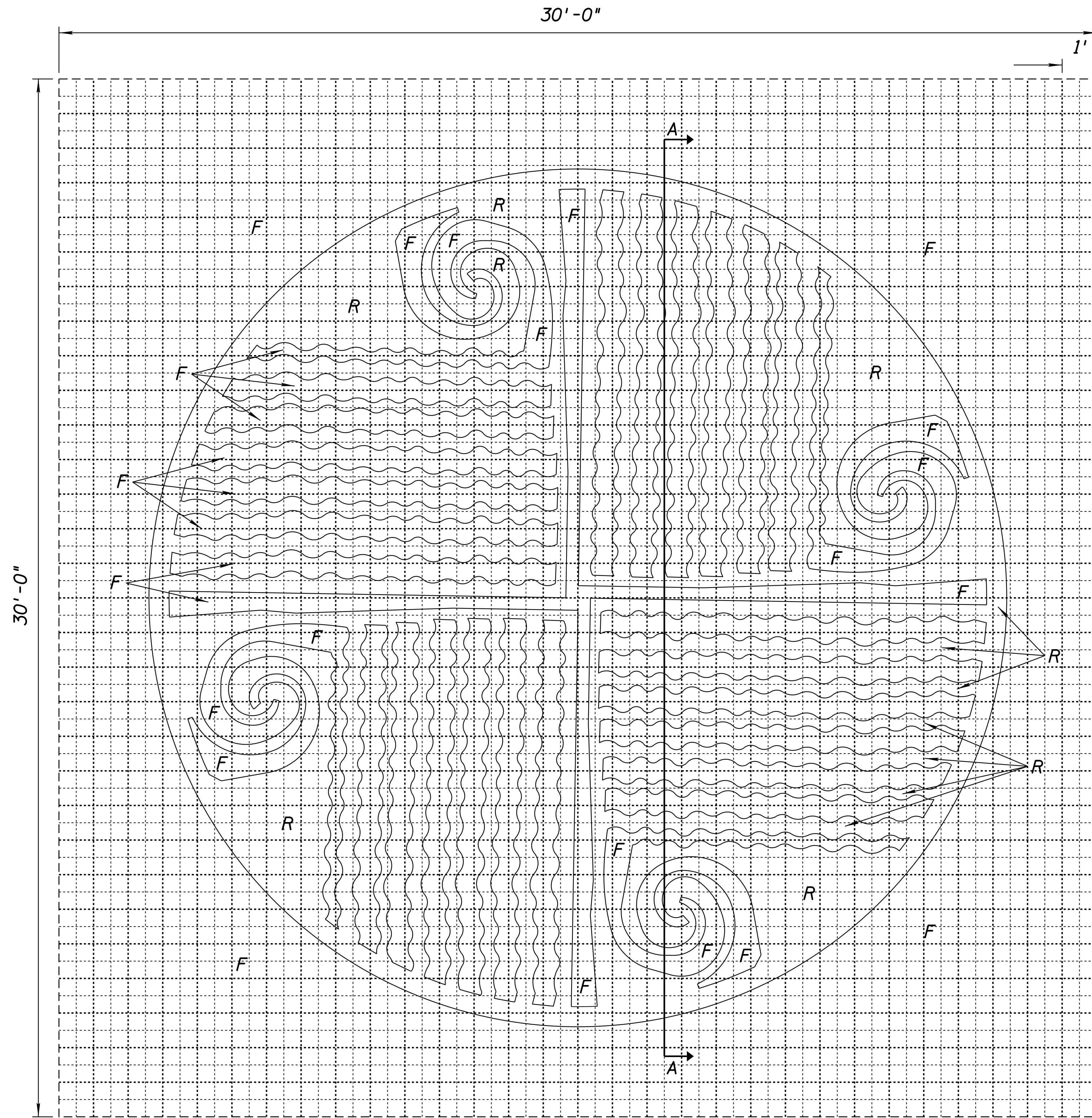
DETAIL D201 NTS

CHARACTER AREA 1 - SNAKE RUSTICATION FOR RETAINING WALLS

REV	DATE	DESCRIPTION	BY	NAME	DATE	ARIZONA DEPARTMENT OF TRANSPORTATION INFRASTRUCTURE DELIVERY AND OPERATIONS DIVISION ROADSIDE DEVELOPMENT SERVICES	PRELIMINARY DESIGN
				JSP	06-21		Review
				J2CAD	06-21		NOT FOR CONSTRUCTION OR RECORDING
				GD	06-21		DWG NO. AE-040-001
J2 Engineering and Environmental Design 4649 East Cotton Gin Loop, Suite B2 Phoenix, Arizona 85040 Phone: 602.438.2221 www.j2design.us						CHARACTER AREA 1 AESTHETIC DETAILS	
ROUTE I-10		LOCATION I-17 (SPLIT) TO SR202L (SANTAN)					
PULICE > FNF > FLATIRON JOINT VENTURE			TRACS NO. F0072 01C		010-C(220)S		OF

AZDOT_BW_FULL.TBL
 ...AZDOT\BWIN\IPLOTDRM\PLT

F.H.W.A. REGION	STATE	PROJECT NO.	SHEET NO.	TOTAL SHEETS	AS BUILT
9	ARIZ.	010-C(220)S			
010 MA 149					



WALL NOTES:

1. See Structural Details and Plans for Final Engineering.
2. Rustication Accents Shall be Recessed a Minimum 2" When Accent Is Cast Into Concrete.
3. Rustication Shall Occur on Walls with a Clear Height Distance of 12' or Greater when Measured from Finished Grade/Top of Adjacent Barrier to the Bottom of Wall Coping/Cap.

DETAIL D202 NTS

CHARACTER AREA 1 - POTTERY RUSTICATION

LEGEND:
 F= Flush
 R= 2" Recess (C.I.P.)

PAINT COLOR LEGEND:
 Base Paint- Color B1
 Accent Paint- Color A1

REV	DATE	DESCRIPTION	BY	NAME	DATE	ARIZONA DEPARTMENT OF TRANSPORTATION INFRASTRUCTURE DELIVERY AND OPERATIONS DIVISION ROADSIDE DEVELOPMENT SERVICES CHARACTER AREA 1 AESTHETIC DETAILS	PRELIMINARY	
				DESIGN	JSP		06-21	DESIGN Review NOT FOR CONSTRUCTION OR RECORDING DWG NO. AE-040.002
				DRAWN	J2CAD		06-21	
				CHECKED	GD		06-21	
J2 Engineering and Environmental Design 4649 East Cotton Gin Loop, Suite B2 Phoenix, Arizona 85040 Phone: 602.438.2221 www.j2design.us								
ROUTE I-10		LOCATION I-17 (SPLIT) TO SR202L (SANTAN)						
PULICE ▶ FNF ▶ FLATIRON JOINT VENTURE						TRACS NO. F0072 01C	010-C(220)S	OF

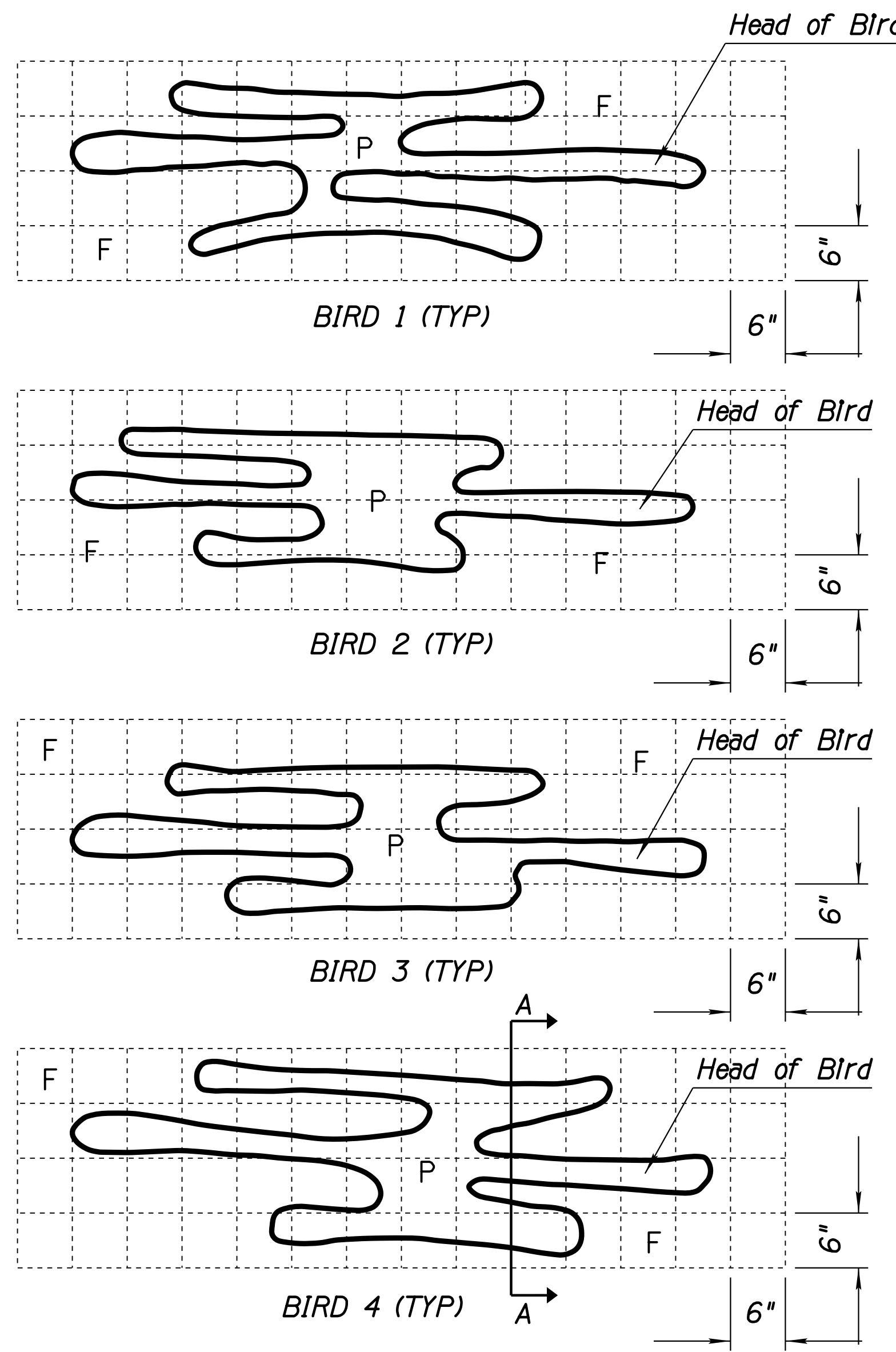
Plot Driver: ...IPLOT\bin\iplotdrv.plt
 Workspace: ...IPLOT\bin\iplotdrv.plt
 Plot: ...IPLOT\bin\iplotdrv.plt
 PenTable: AZDOT_BW_Full.tbl
 Location: ...
 Revisions: ...
 Survey No.: ...
 Date: ...
 Finished Plans: ...

AZDOT_BW_FULL.TBL
 ... \DMS00093\AZDOT_BW_FULL.TBL
 IPLOT\BIN\IPLOTDRV.PLT

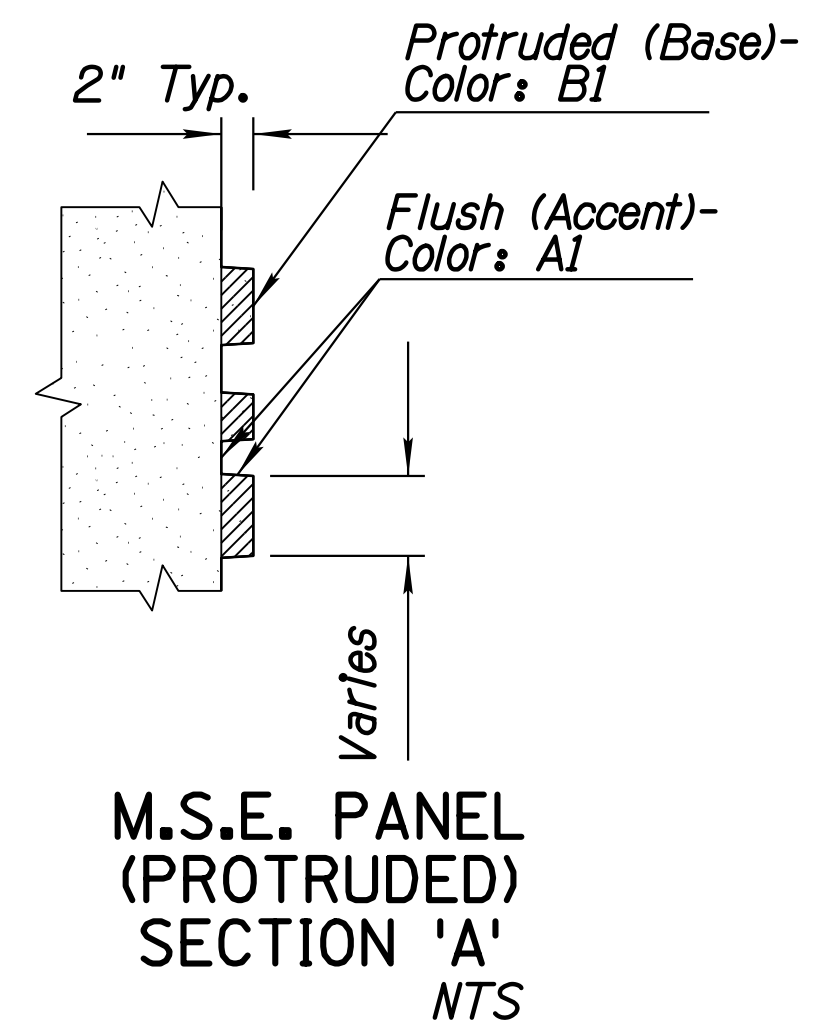
Plot Driver: ...IPLOT\bin\iplotdrv.mpl
 LOCATION: ...
 REVISIONS: ...
 FINISHED PLANS: ...
 SURVEY NO.: ...
 DATE: ...
 WORKSPACE: ...

F.H.W.A. REGION	STATE	PROJECT NO.	SHEET NO.	TOTAL SHEETS	AS BUILT
9	ARIZ.	010-C(220)S			

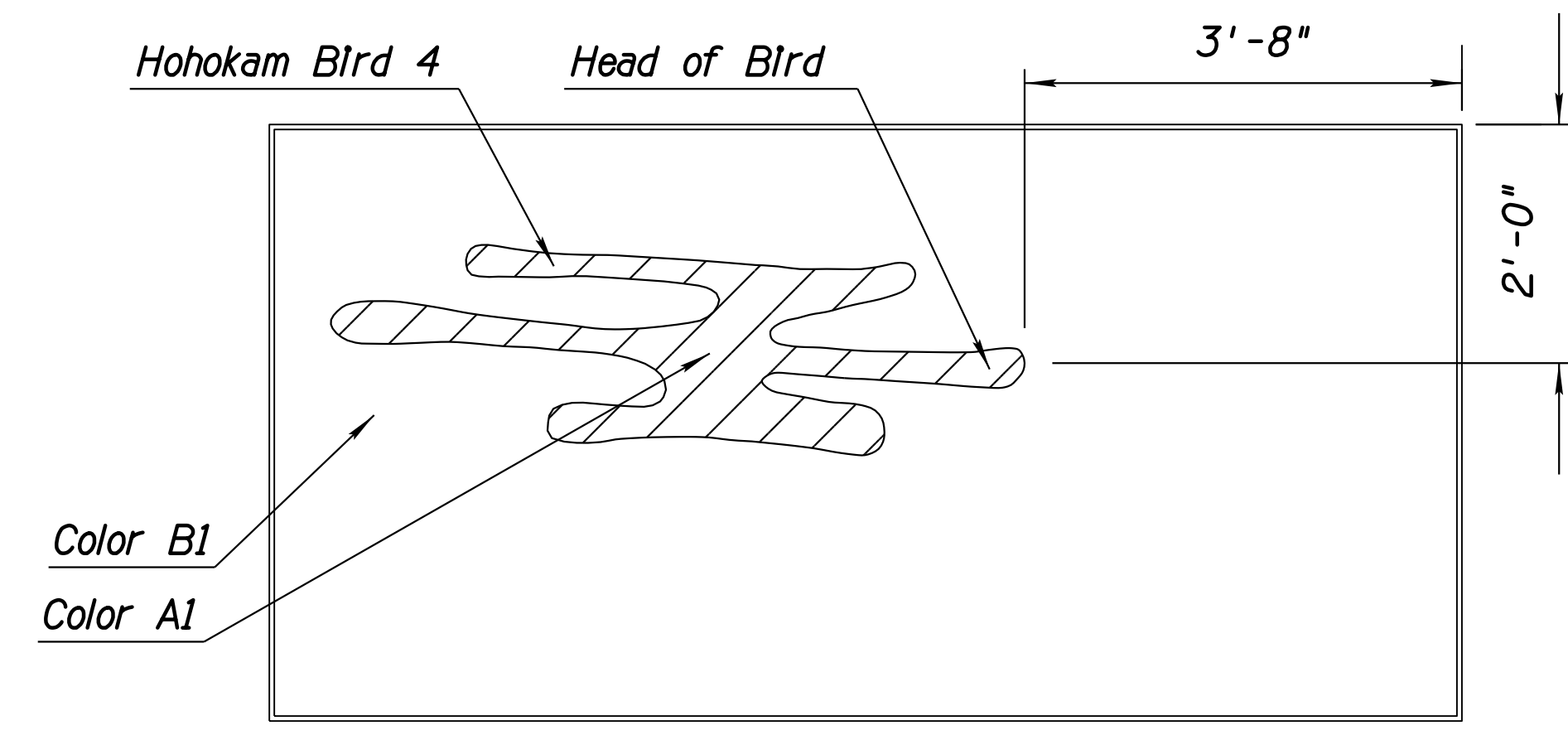
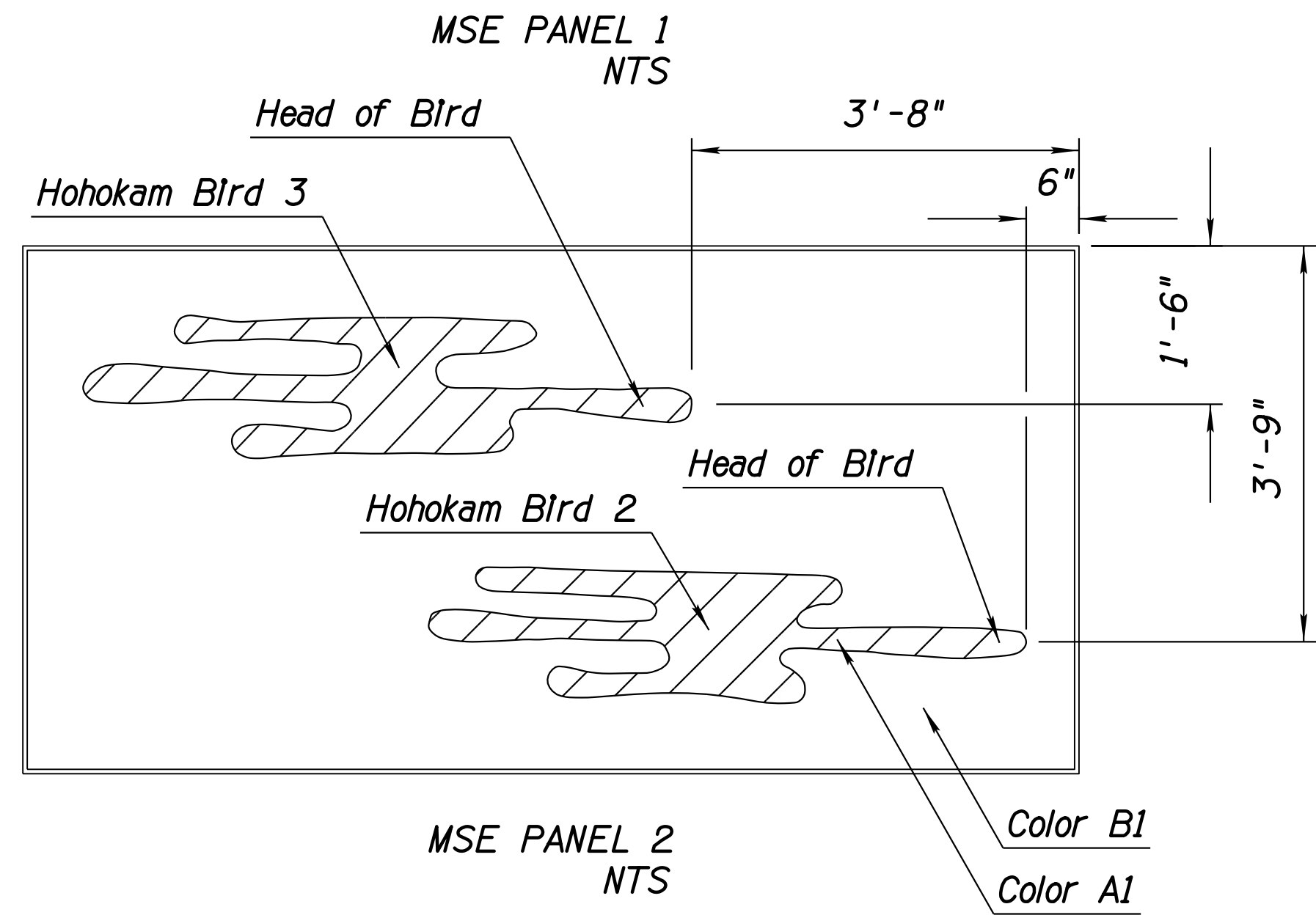
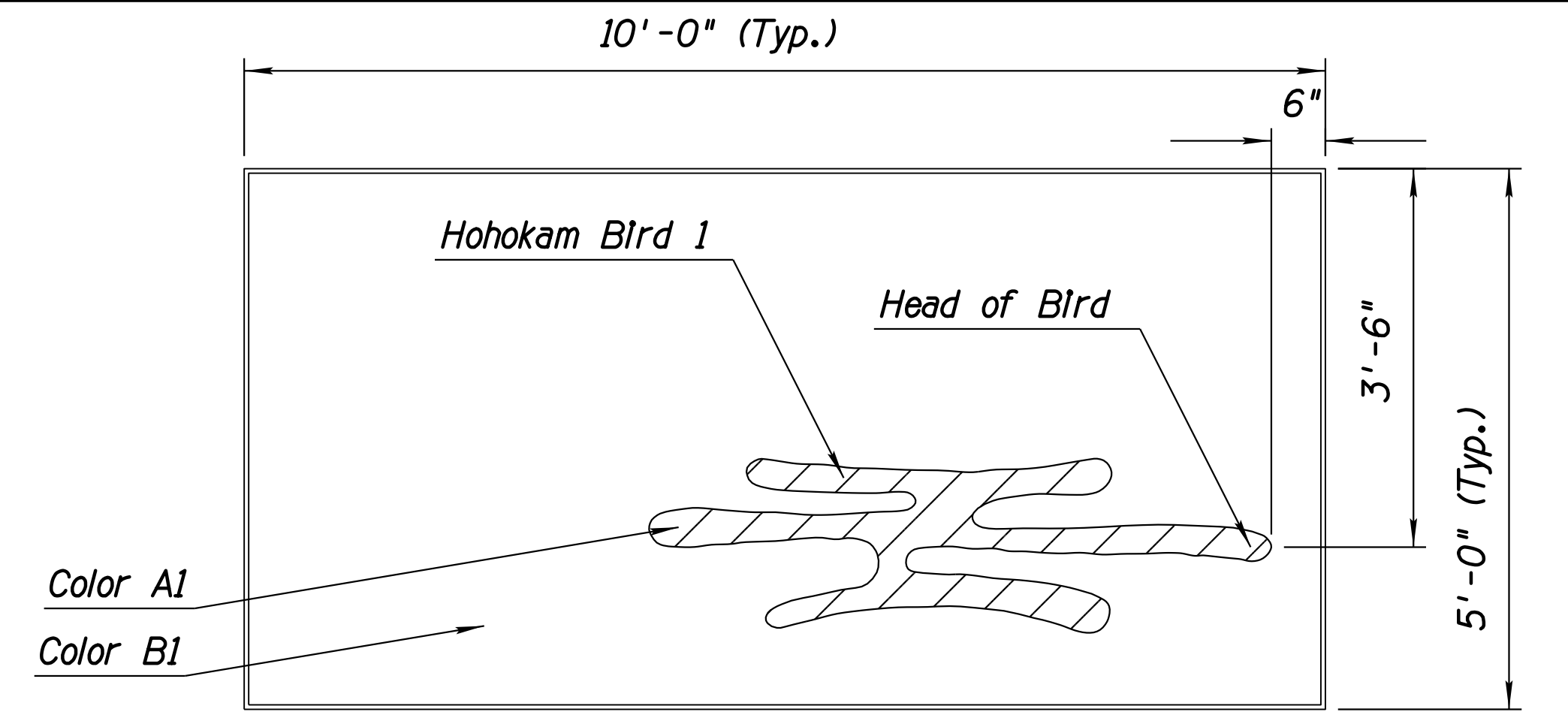
010 MA 149



STANDARD BIRD LAYOUTS
NTS



M.S.E. PANEL
(PROTRUDED)
SECTION 'A'
NTS



DETAIL D203 NTS

CHARACTER AREA 1 - HOHOKAM BIRD RUSTICATION

- CHARACTER AREA 1 NOTES: HOHOKAM BIRDS**
- Hohokam Blrd Pattern Ties Into the Larger Theme Surrounding Valley.
 - The Overall Composition and Individual Hohokam Blrd Rustication Patterns Shall Appear to be Flying Towards the Airport in the Vicinity of the 143 Interchange.
 - Hohokam Blrd Rustication Patterns will be Approximately 5'-9" x 1'-6" and Shall Have 3" Rounded and Tapered Edges with Smooth Transitions.
 - Developer Shall Provide the Full Size Completed Mock-Up of Each Type of Graphic (4 Hohokam BirDs) for Approval by ADOT.

LEGEND:
 F= Flush
 P= 2" Protruded (M.S.E.)

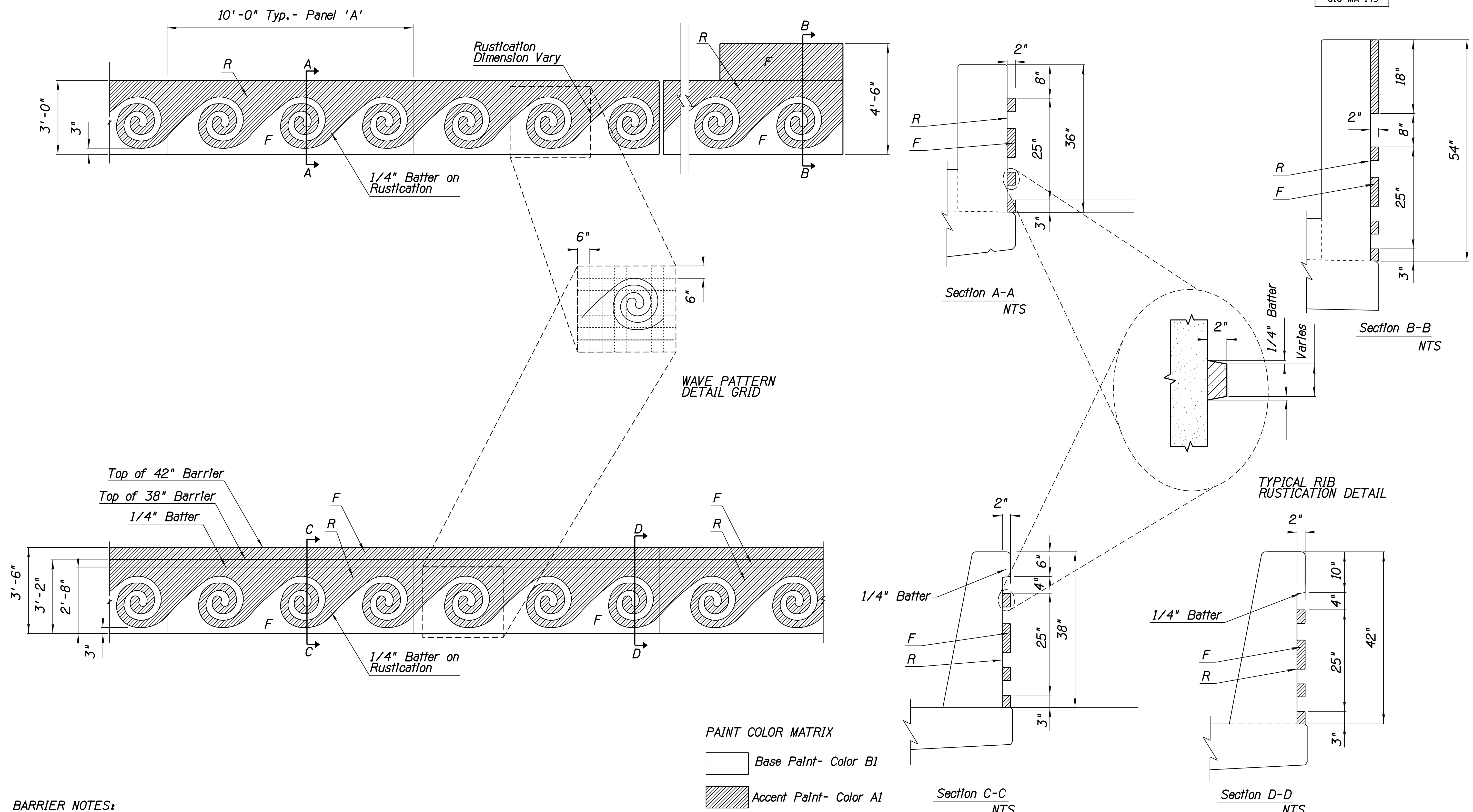
PAINT COLOR LEGEND:
 Base Paint- Color B1
 Accent Paint- Color A1

REV	DATE	DESCRIPTION	BY	NAME	DATE	ARIZONA DEPARTMENT OF TRANSPORTATION INFRASTRUCTURE DELIVERY AND OPERATIONS DIVISION ROADSIDE DEVELOPMENT SERVICES	PRELIMINARY DESIGN Review NOT FOR CONSTRUCTION OR RECORDING DWG NO. AE-040.003	
				DESIGN	JSP			06-21
				DRAWN	J2CAD			06-21
				CHECKED	GD			06-21
J2 Engineering and Environmental Design 4649 East Cotton Gin Loop, Suite B2 Phoenix, Arizona 85040 Phone: 602.438.2221 www.j2design.us						CHARACTER AREA 1 AESTHETIC DETAILS		
PULICE ▶ FNF ▶ FLATIRON JOINT VENTURE		ROUTE I-10		LOCATION I-17 (SPLIT) TO SR202L (SANTAN)		TRACS NO. F0072 01C		
						010-C(220)S		
						OF		

AZDOT_BW_FULL.TBL
 ... \DMS00093\AZDOT_BW_FULL.TBL
 IPLOT\BIN\IPLOTDRV.MPL

F.H.W.A. REGION	STATE	PROJECT NO.	SHEET NO.	TOTAL SHEETS	AS BUILT
9	ARIZ.	010-C(220)S			

010 MA 149



- BARRIER NOTES:**
1. Developer Shall Rusticate Bridge Barriers as Per Section 800.03.01.01 of the Technical Provisions.
 2. Locate Barrier Panels to Minimize Partial Panels That Occur at the Ends of Approaches.
 3. Partial Panels Shall Be Painted Color B1 Without Rustication.

DETAIL D204 NTS

CHARACTER AREA 1 - WAVE RUSTICATION FOR BARRIER WALLS

PAINT COLOR MATRIX

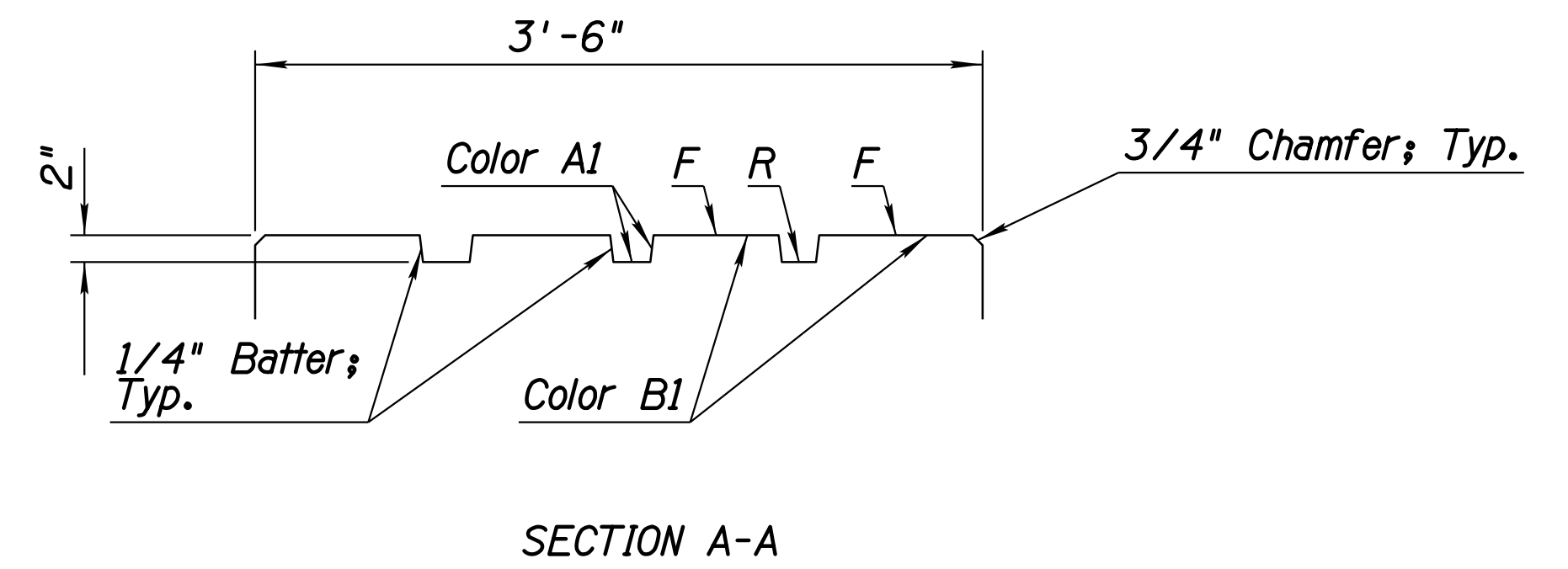
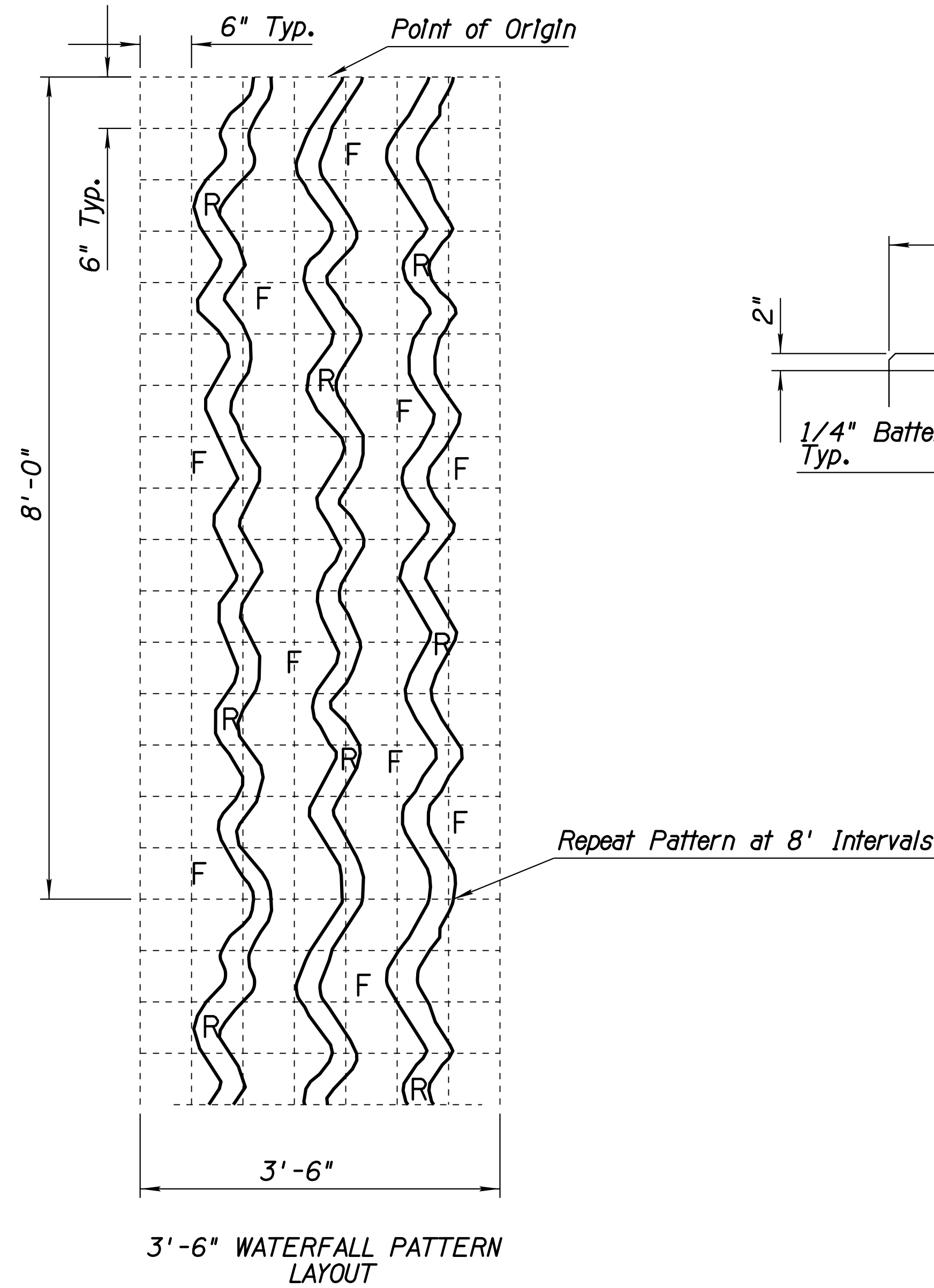
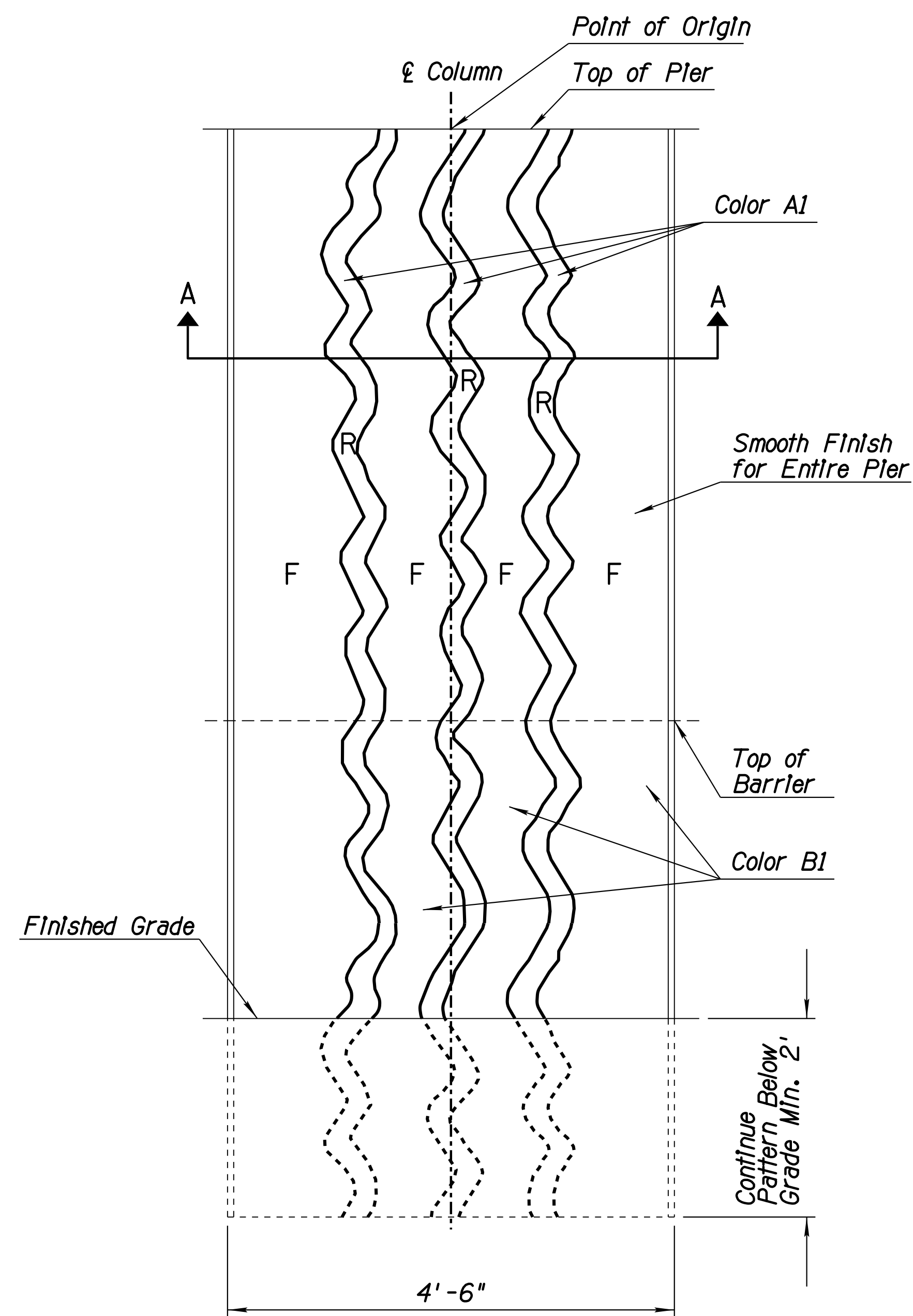
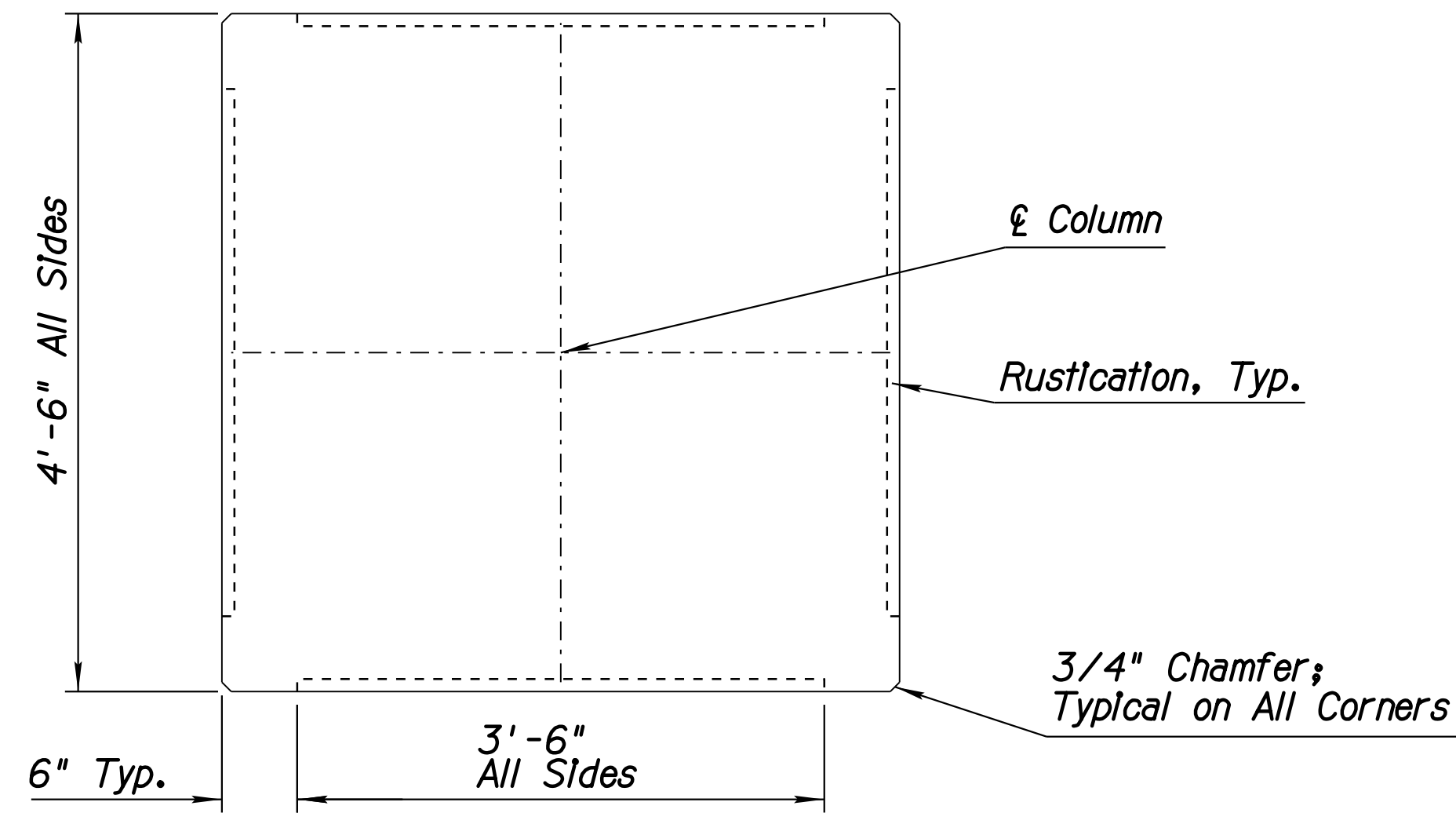
	Base Paint- Color B1
	Accent Paint- Color A1

LEGEND:
F = Flush
R = 2" Recess

REV	DATE	DESCRIPTION	BY	NAME	DATE	ARIZONA DEPARTMENT OF TRANSPORTATION INFRASTRUCTURE DELIVERY AND OPERATIONS DIVISION ROADSIDE DEVELOPMENT SERVICES	PRELIMINARY DESIGN
				DESIGN	JSP	06-21	REVIEW NOT FOR CONSTRUCTION OR RECORDING DWG NO. AE-040.004
				DRAWN	J2CAD	06-21	
				CHECKED	GD	06-21	
						CHARACTER AREA 1 AESTHETIC DETAILS	
PULICE > FNF > FLATIRON JOINT VENTURE						ROUTE I-10 LOCATION I-17 (SPLIT) TO SR202L (SANTAN)	
TRACS NO. F0072 01C						010-C(220)S	
						OF	

F.H.W.A. REGION	STATE	PROJECT NO.	SHEET NO.	TOTAL SHEETS	AS BUILT
9	ARIZ.	010-C(220)S			

010 MA 149



PIER NOTES:

1. Bridge Pier Rustication Patterns Shall be Centered Within the Side Horizontally and Located on All (4) Sides of Piers.
2. No Pier Rustication Is Required on Side(s) That are Located 5' or Less From Walls That Obscure Visibility From Traffic or Pedestrians.
3. Repeat Water Fall Pattern from Point of Origin if Pier Rustication Area is Taller than 8'-0".

DETAIL D205

NTS

CHARACTER AREA 1 - 4'-6" SQ. PIER WATERFALL RUSTICATION

LEGEND:
 F = Flush
 R = 2" Recess

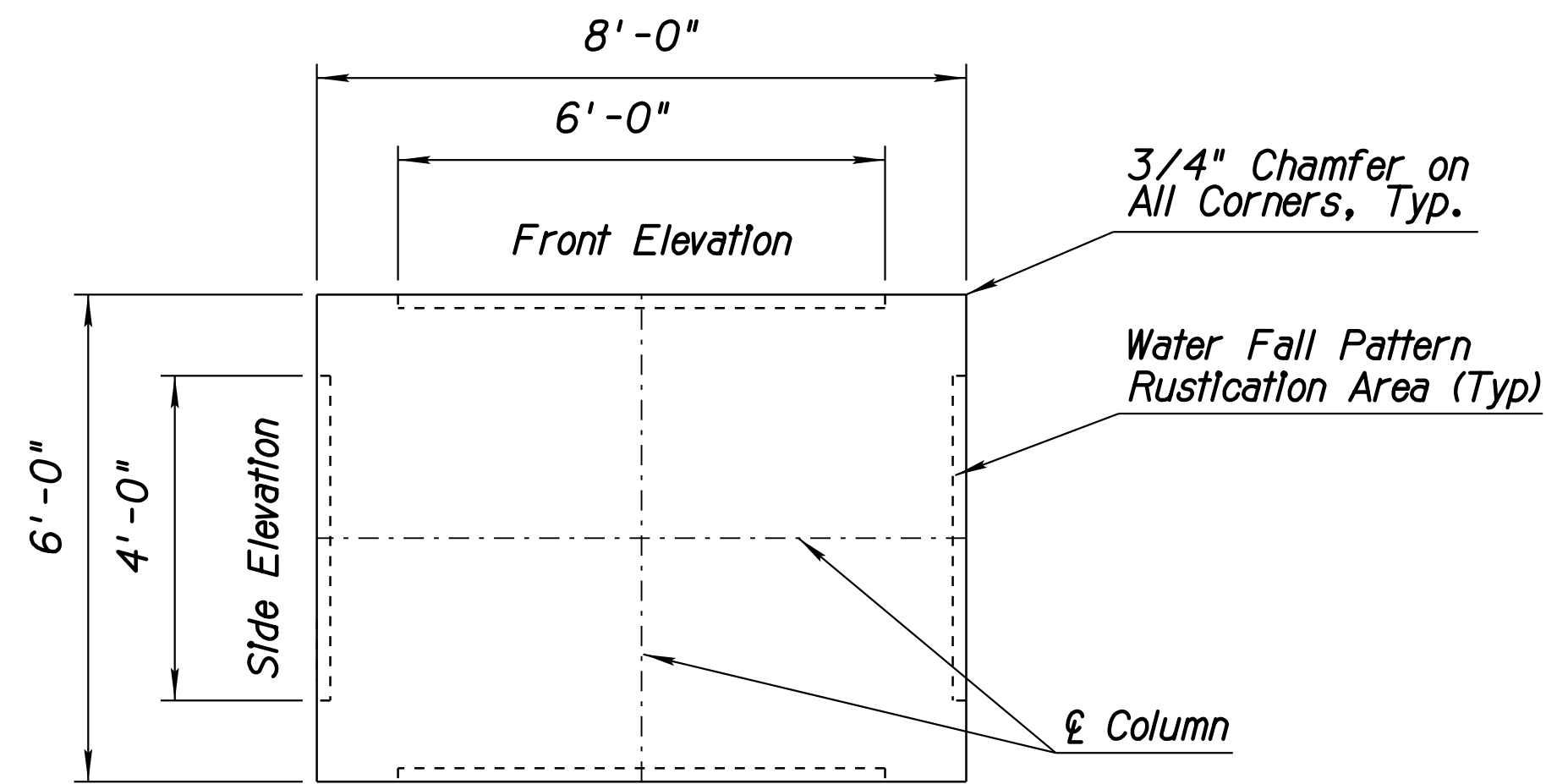
PAINT COLOR LEGEND:
 Base Paint - Color B1
 Accent Paint - Color A1

DESIGN	JSP	DATE	06-21	ARIZONA DEPARTMENT OF TRANSPORTATION INFRASTRUCTURE DELIVERY AND OPERATIONS DIVISION ROADSIDE DEVELOPMENT SERVICES	PRELIMINARY DESIGN Review NOT FOR CONSTRUCTION OR RECORDING DWG NO. AE-040.005
DRAWN	J2CAD	DATE	06-21		
CHECKED	GD	DATE	06-21		
				CHARACTER AREA 1 AESTHETIC DETAILS	
ROUTE		LOCATION		I-10 I-17 (SPLIT) TO SR202L (SANTAN)	
PULICE • FNF • FLATIRON JOINT VENTURE				TRACS NO. F0072 01C	010-C(220)S

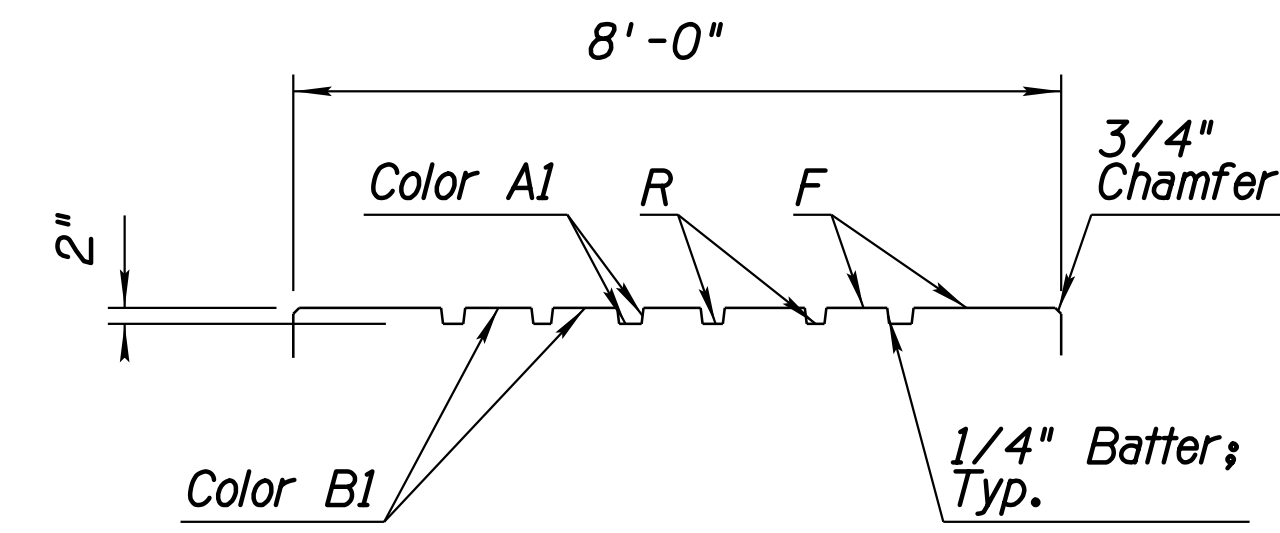
Workspace: ... \I\PL0TRM.PLT
 Plot Driver: ... \I\PL0TRM.PLOTDRM.PLT
 PenTable: AzDOT_BW_Full.tbl
 LOCATION: ...
 REVISIONS: ...
 SURVEY NO.: ...
 DATE: ...
 FINISHED PLANS: ...
 SURVEY NO.: ...

F.H.W.A. REGION	STATE	PROJECT NO.	SHEET NO.	TOTAL SHEETS	AS BUILT
9	ARIZ.	010-C(220)S			

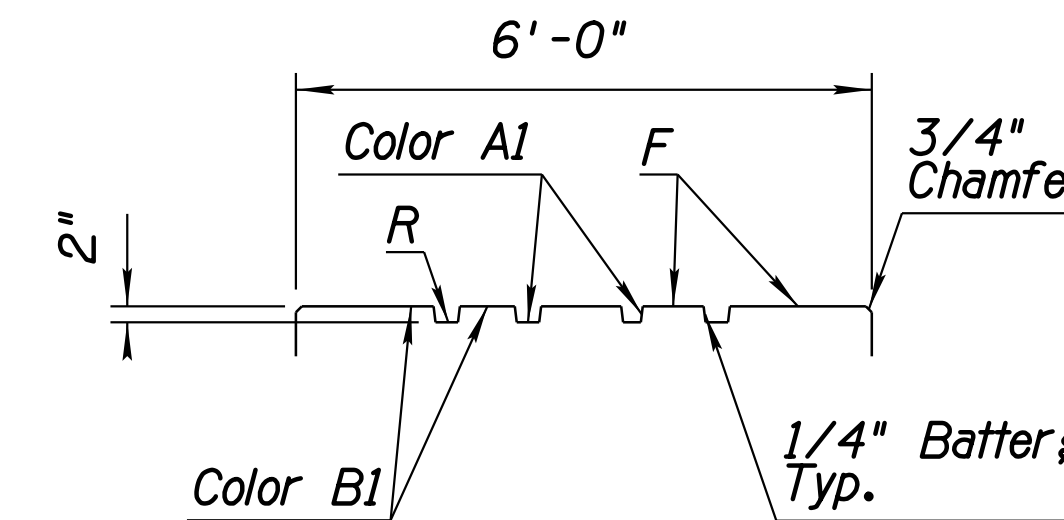
010 MA 149



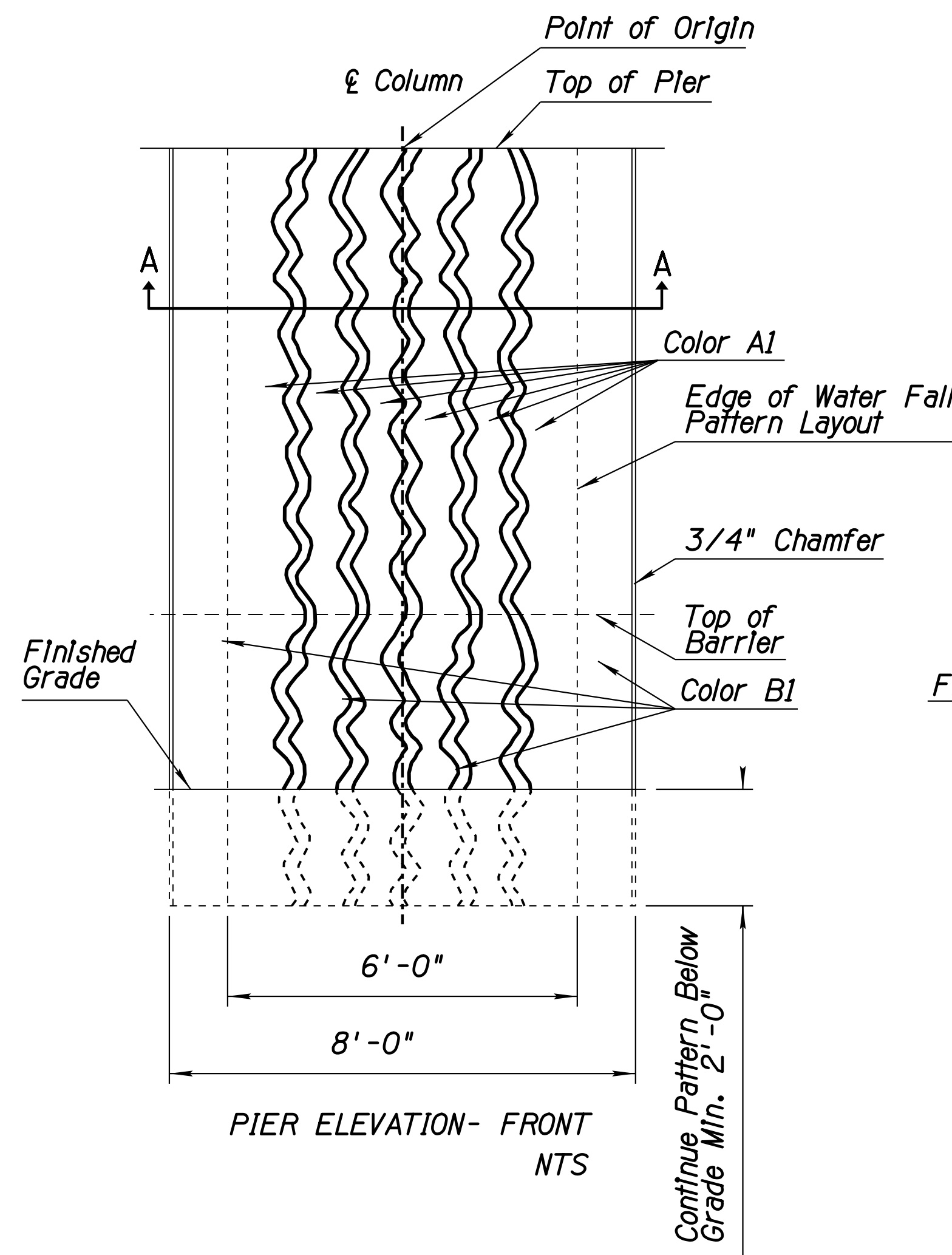
BRIDGE PIER PLAN VIEW NTS



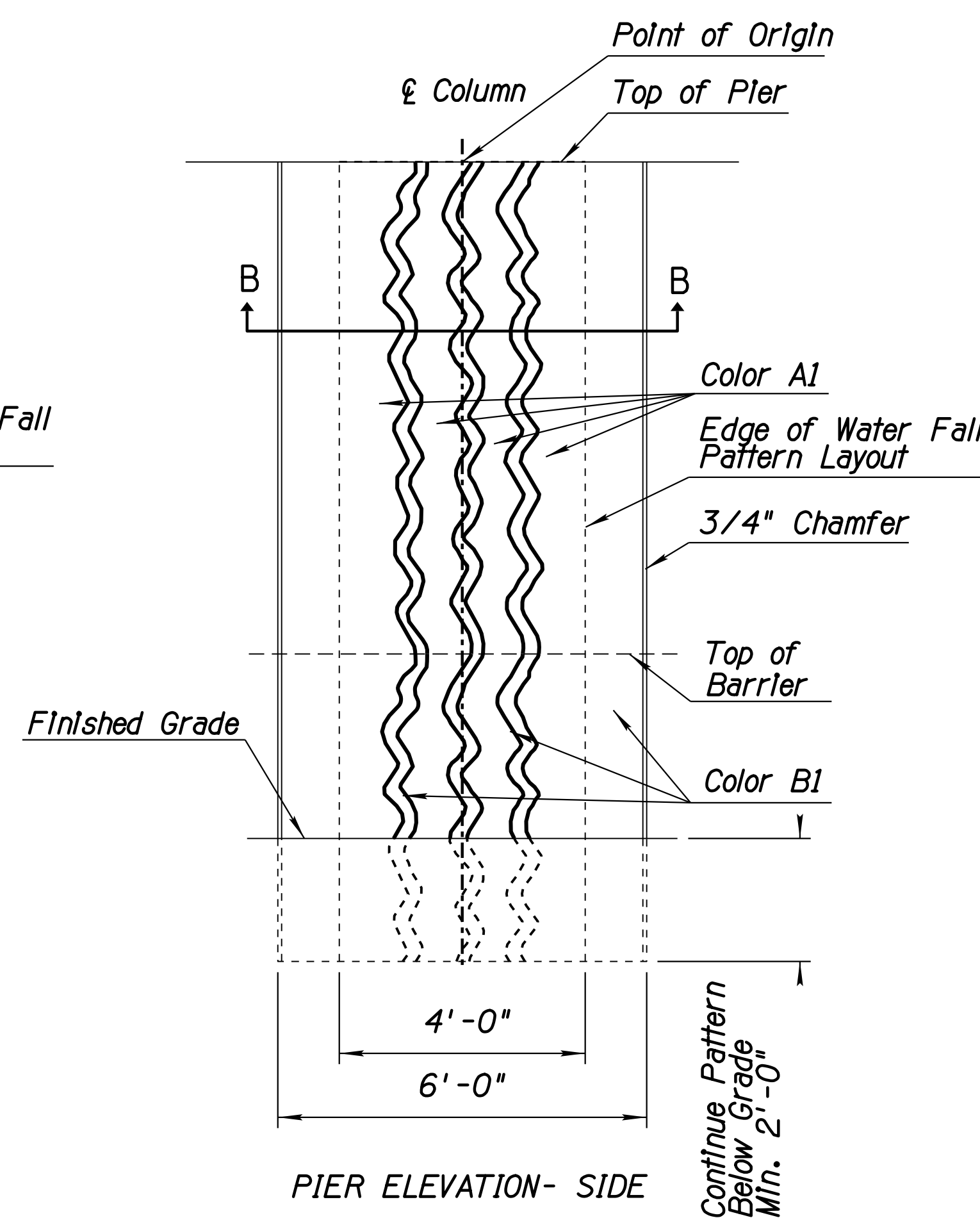
SECTION A-A



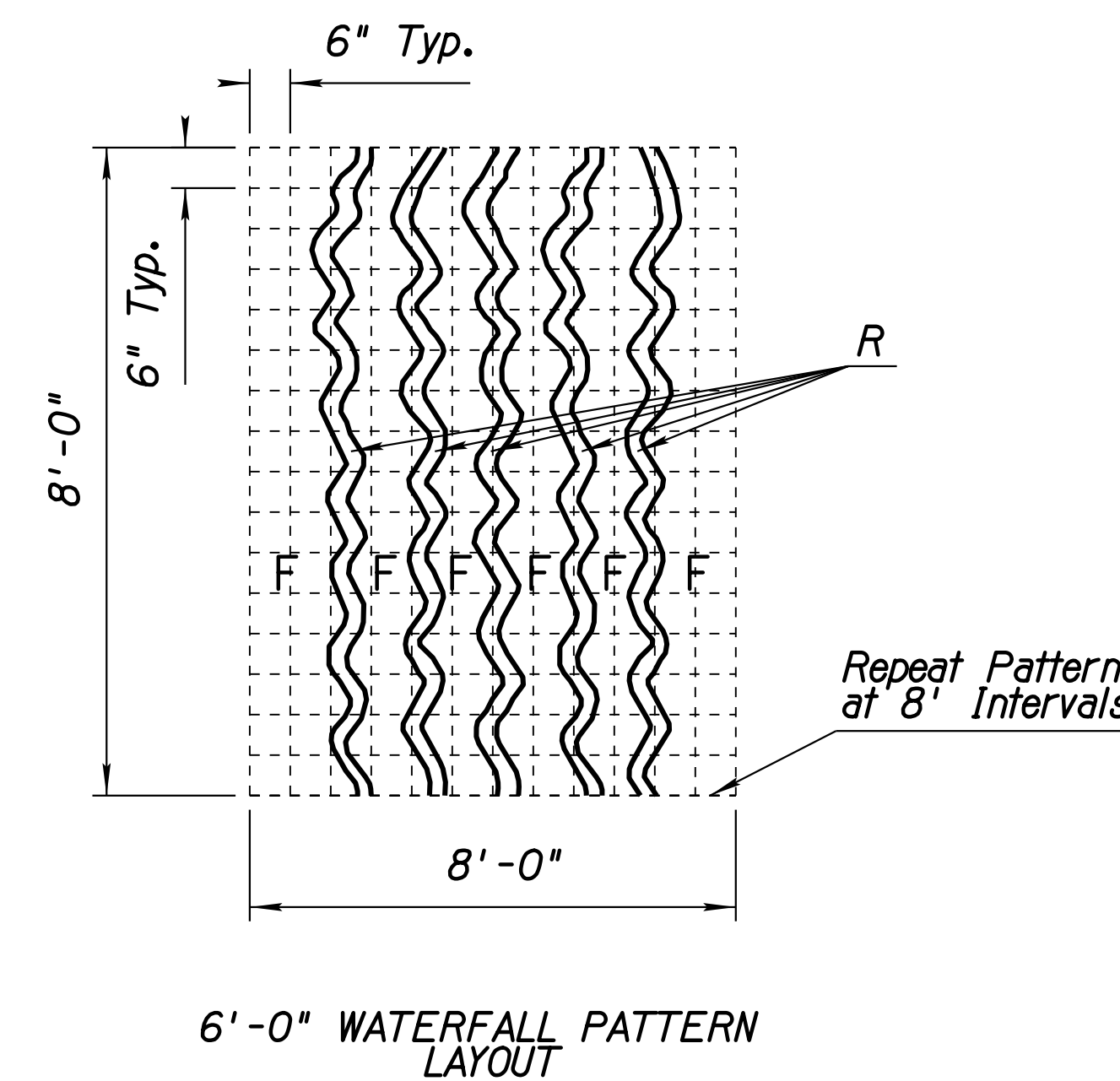
SECTION B-B



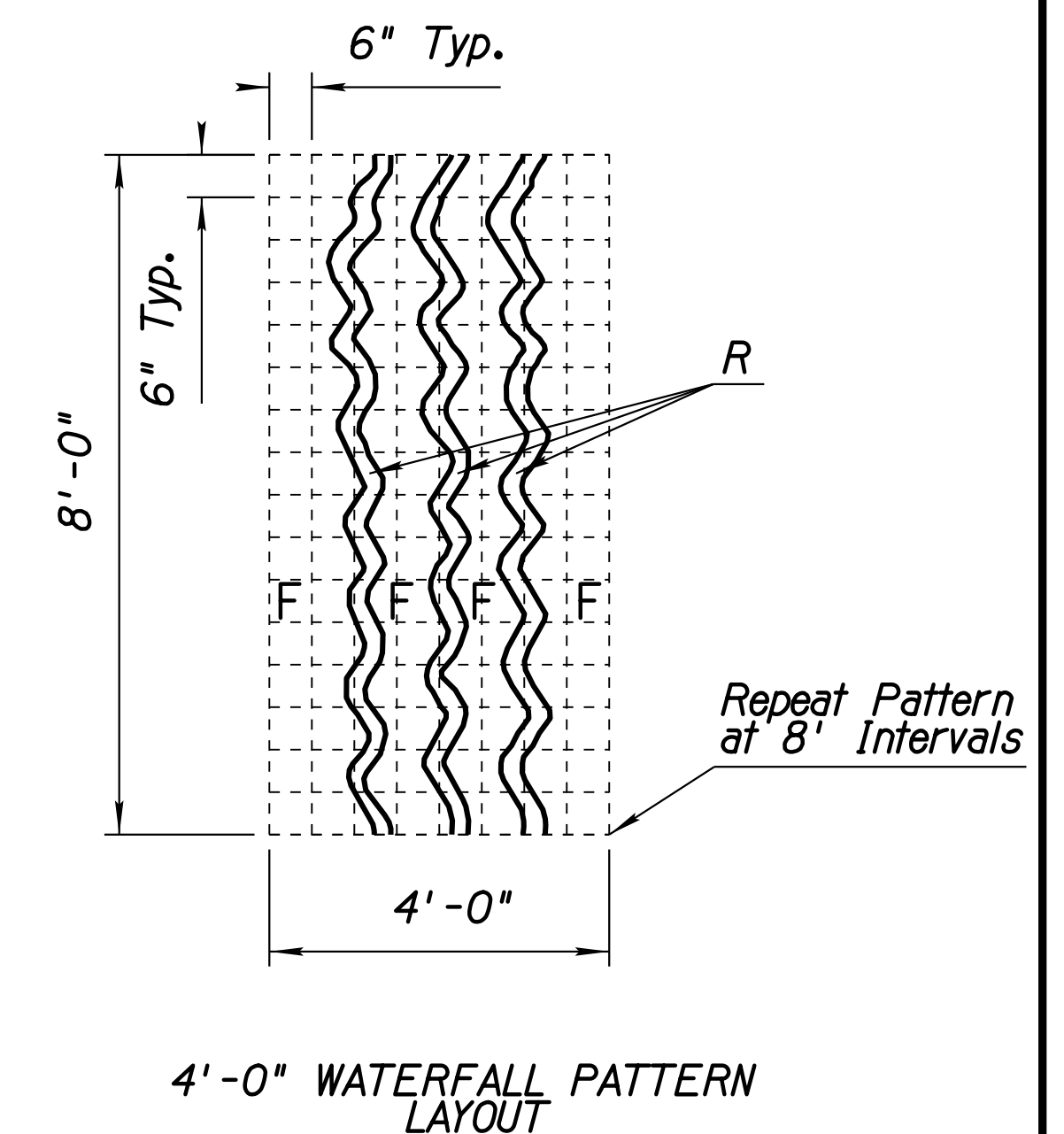
PIER ELEVATION- FRONT NTS



PIER ELEVATION- SIDE



6'-0" WATERFALL PATTERN LAYOUT



4'-0" WATERFALL PATTERN LAYOUT

LEGEND:
 F= Flush
 R= 2" Recess

PAINT COLOR LEGEND:
 Base Paint- Color B1
 Accent Paint- Color A1

DETAIL D206 NTS

CHARACTER AREA 1 - 8'x6'
 PIER WATERFALL RUSTICATION

- PIER NOTES:
1. Bridge Pier Rustication Patterns Shall be Centered Within the Side Horizontally and Located on All (4) Sides of Piers.
 2. No Pier Rustation Is Required on Side(s) That are Located 5' or Less From Walls That Obscure Visibility From Traffic or Pedestrians.

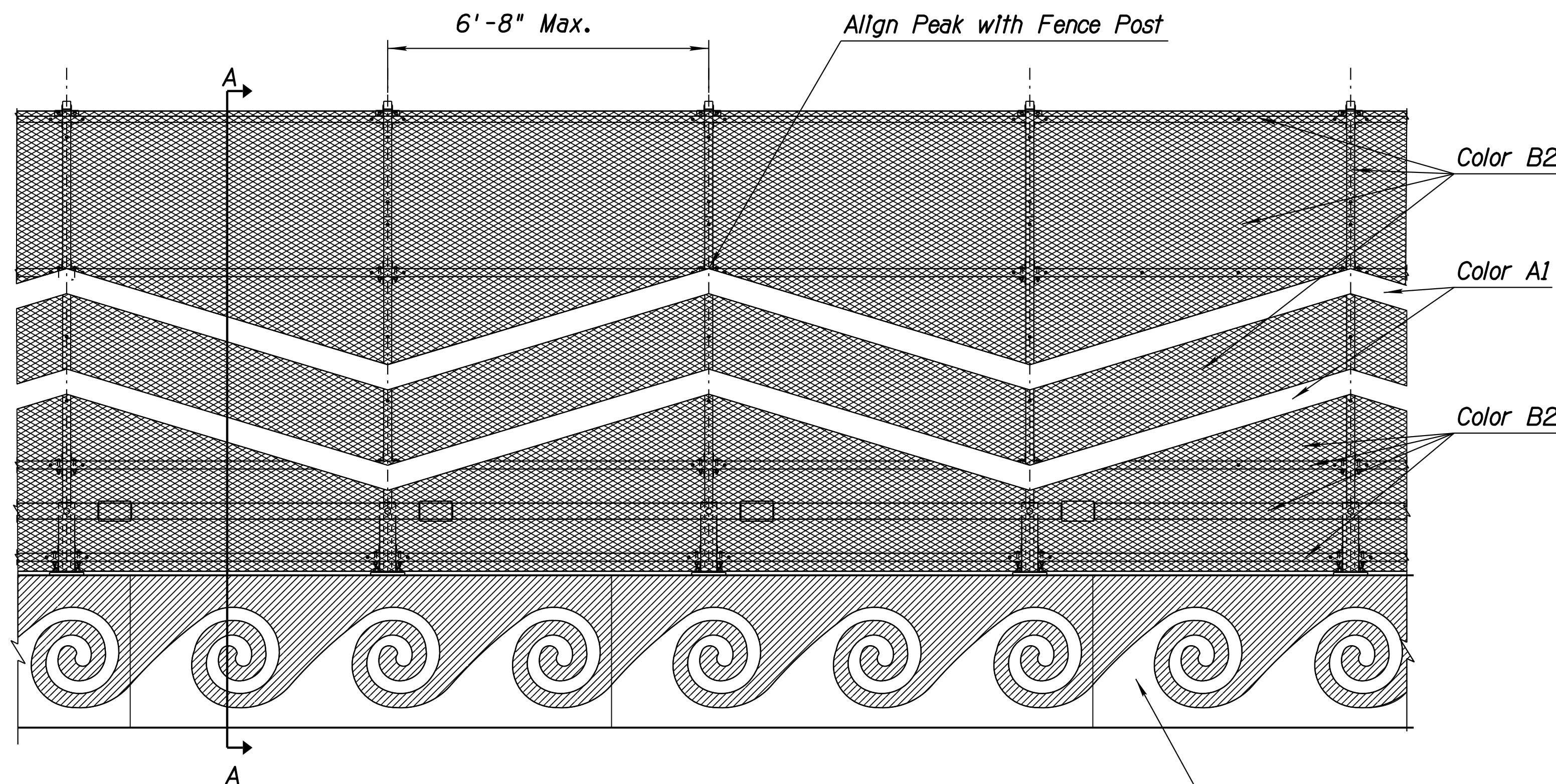
REV	DATE	DESCRIPTION	BY	NAME	DATE	ARIZONA DEPARTMENT OF TRANSPORTATION INFRASTRUCTURE DELIVERY AND OPERATIONS DIVISION ROADSIDE DEVELOPMENT SERVICES	PRELIMINARY DESIGN Review NOT FOR CONSTRUCTION OR RECORDING DWG NO. AE-040.006
				DESIGN	JSP	06-21	CHARACTER AREA 1 AESTHETIC DETAILS
				DRAWN	J2CAD	06-21	
				CHECKED	GD	06-21	
<p>J2 Engineering and Environmental Design 4649 East Cotton Gin Loop, Suite B2 Phoenix, Arizona 85040 Phone: 602.438.2221 www.j2designus.com</p>						ROUTE: I-10 LOCATION: I-17 (SPLIT) TO SR202L (SANTAN)	
PULICE > FNF > FLATIRON JOINT VENTURE						TRACS NO. F0072 01C 010-C(220)S	

Workspace: ... \PLOT\BIN\IPL0TDRVM.PLT
 SURVEY NO. FINISHED PLANS
 Plot Driver: ... \PLOT\BIN\IPL0TDRVM.PLT
 SURVEY NO. DATE
 Location: ... \PLOT\BIN\IPL0TDRVM.PLT
 Revisions: ...
 Penable: AzDOT_BW_Full.tbl
 Location: ...
 Survey No.

AZDOT_BW_FULL.TBL
 ... \DMS00093\AZDOT_BW_FULL.TBL
 ... \PLOT\BIN\IPL0TDRVM.PLT

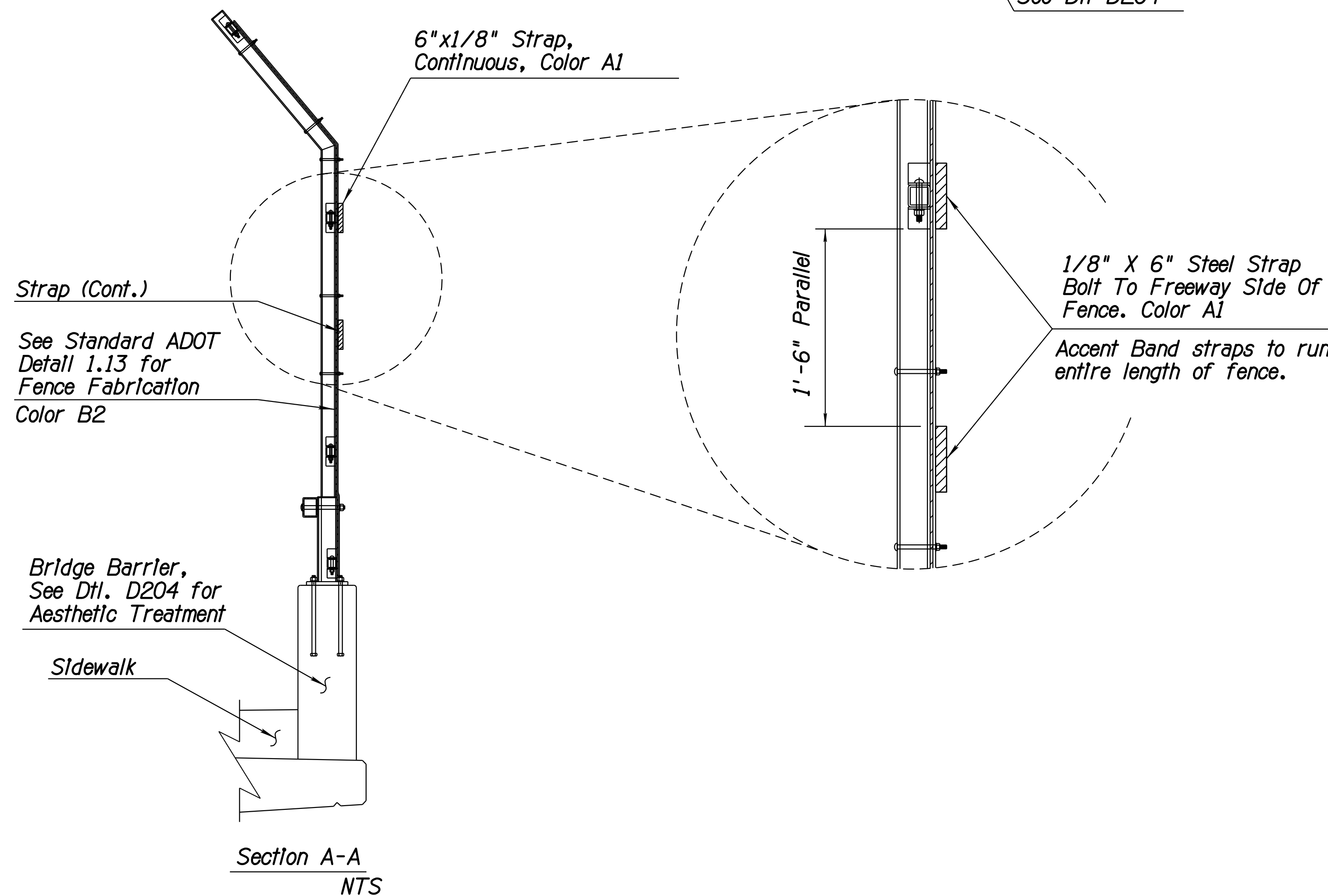
F.H.W.A. REGION	STATE	PROJECT NO.	SHEET NO.	TOTAL SHEETS	AS BUILT
9	ARIZ.	010-C(220)S			

010 MA 149



PEDESTRIAN FENCING NOTES:

1. Developer Shall Paint Rustication as per Section 800 of the Technical Provisions.
2. All Metal Fencing Rustication, Finish, Patterns, and Colors to Match Intent of Details as Shown and Approved by ADOT.
4. Developer to Field Verify all Dimensions/Layout.
5. Developer Shall Provide Shop Drawings for all Aesthetics Patterns and Fabrication Details for Approval by ADOT prior to Fabrication.
6. All Fence Posts, Railings, Straps, Mesh, and Hardware to be Painted Base Color B2, Semi-Gloss, see Color Legend.
7. All Fence Components to be as Shown on Bridge/Structural Plans.
8. Contractor to Provide Shop Drawing For 1/8"x 6" Steel Strap Mounting to Fence.
9. See Bridge Plans for Specific Pedestrian Fencing Limits.



PAINT COLOR LEGEND:
 Base Paint- Color B2
 Accent Paint- Color A1

DETAIL D207 NTS

CHARACTER AREA 1 - PEDESTRIAN BRIDGE FENCING AESTHETICS

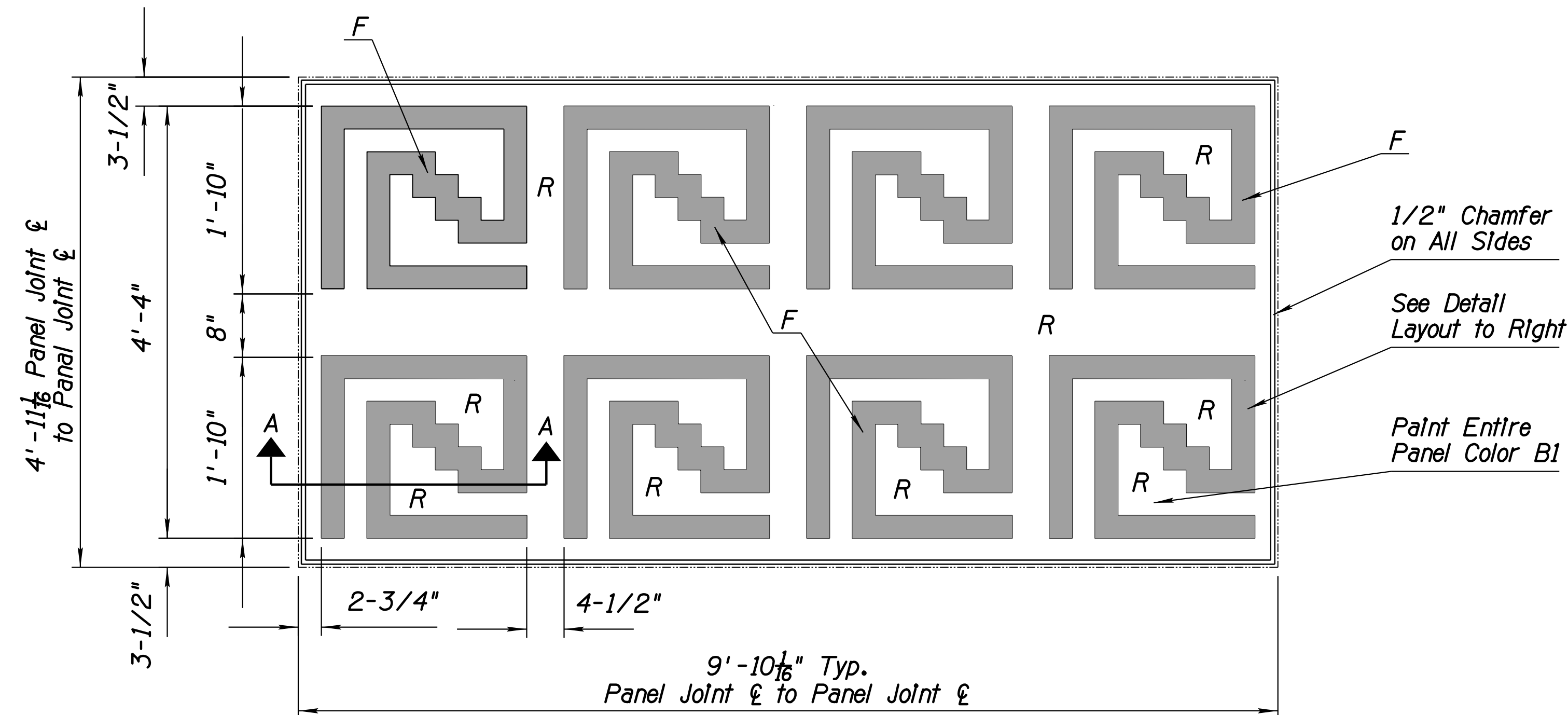
REV	DATE	DESCRIPTION	BY	NAME	DATE	ARIZONA DEPARTMENT OF TRANSPORTATION INFRASTRUCTURE DELIVERY AND OPERATIONS DIVISION ROADSIDE DEVELOPMENT SERVICES	PRELIMINARY DESIGN Review NOT FOR CONSTRUCTION OR RECORDING DWG NO. AE-040.007
				DESIGN JSP	06-21		
				DRAWN J2CAD	06-21		
				CHECKED GD	06-21	CHARACTER AREA 1 AESTHETIC DETAILS	
 J2 Engineering and Environmental Design 4649 East Cotton Gin Loop, Suite B2 Phoenix, Arizona 85040 Phone: 602.438.2221 www.j2design.us							
ROUTE		LOCATION		I-10		I-17 (SPLIT) TO SR202L (SANTAN)	
PULICE > FNF > FLATIRON JOINT VENTURE				TRACS NO. F0072 01C		010-C(220)S	

Plot Driver: ...IPLOT\bin\iplotdrv.mpl
 Survey No. 010 MA 149
 Date: 6/7/2021
 Location: ...AZDOT\B\093\AZDOT_BW_FULL.TBL
 Revisions:
 Finished Plans:
 Workspace: ...IPLOT\bin\iplotdrv.mpl
 Survey No.

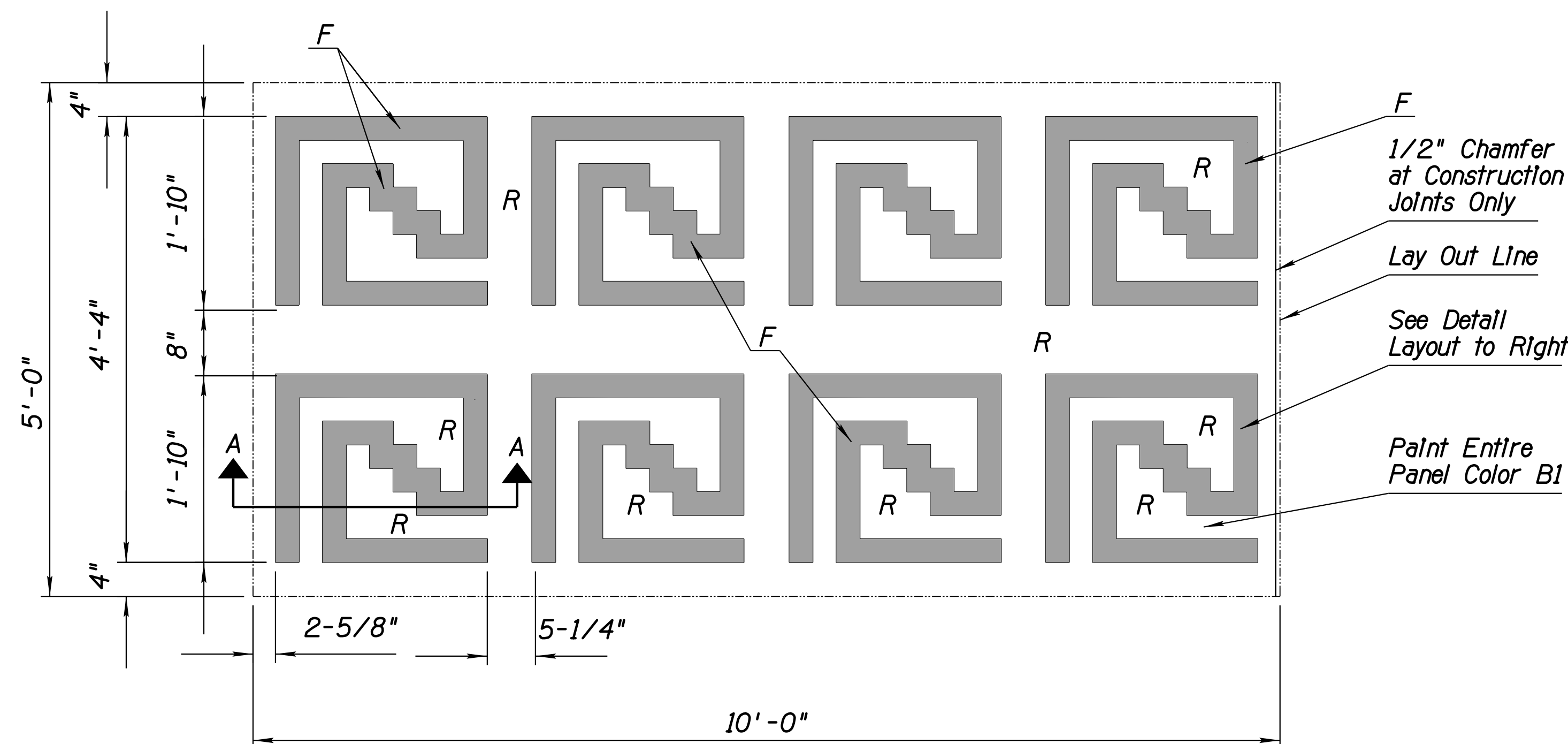
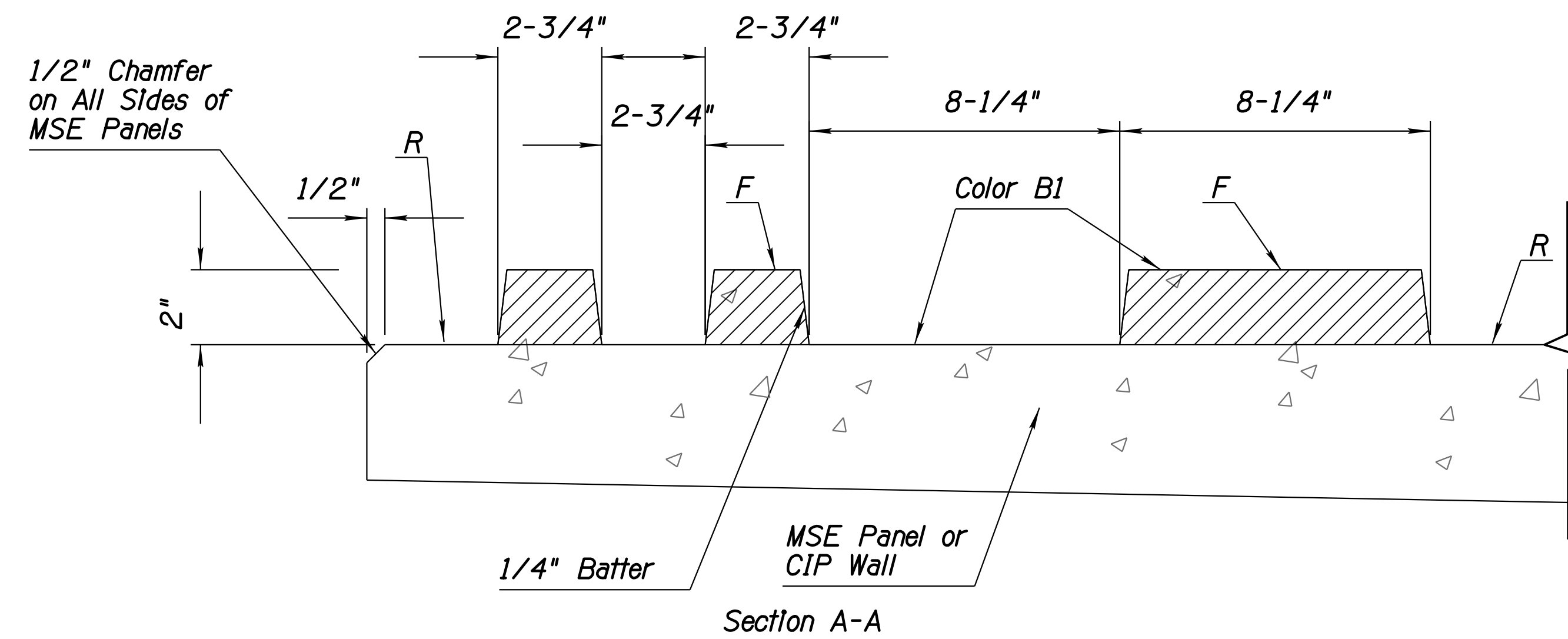
AZDOT_BW_FULL.TBL
 ...AZDOT\B\093\AZDOT_BW_FULL.TBL
 IPLOT\bin\iplotdrv.mpl

F.H.W.A. REGION	STATE	PROJECT NO.	SHEET NO.	TOTAL SHEETS	AS BUILT
9	ARIZ.	010-C(220)S			

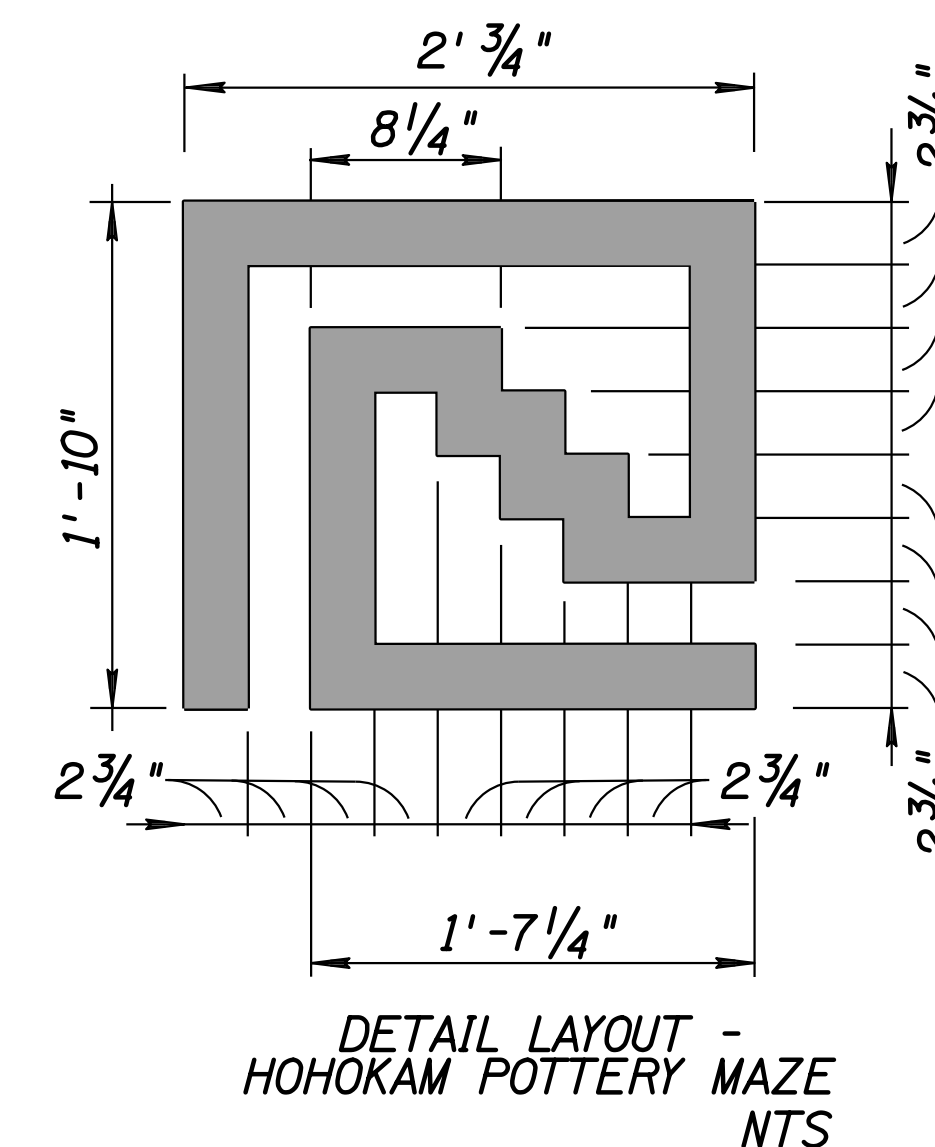
010 MA 149



TYPICAL MSE PANEL - 5' X 10' NOMINAL SIZE
NTS



TYPICAL CAST-IN-PLACE PANEL - 5' X 10' NOMINAL SIZE
NTS



DETAIL LAYOUT - HOHOKAM POTTERY MAZE
NTS

WALL NOTES:

1. Walls Shorter than 150' In Length or Shorter than 12' from Bottom of Coping to Finished Grade Shall be Maze Rustication Only.
2. See Structural Plans for Final Engineering.
3. MSE/CIP Walls Shown In Elevations Are Sample Types Only.
4. Stepped Rustication Patterns Shall Occur on Walls With a Clear Height Distance of 12' or Greater When Measured From Finished Grade/Top of Adjacent Barrier to the Bottom of Wall Coping/Cap.

LEGEND:

F = Flush
R = 2" Recess

PAINT COLOR LEGEND:
Base Paint - Color B1

DETAIL D301 NTS

CHARACTER AREA 2 - MAZE PATTERN

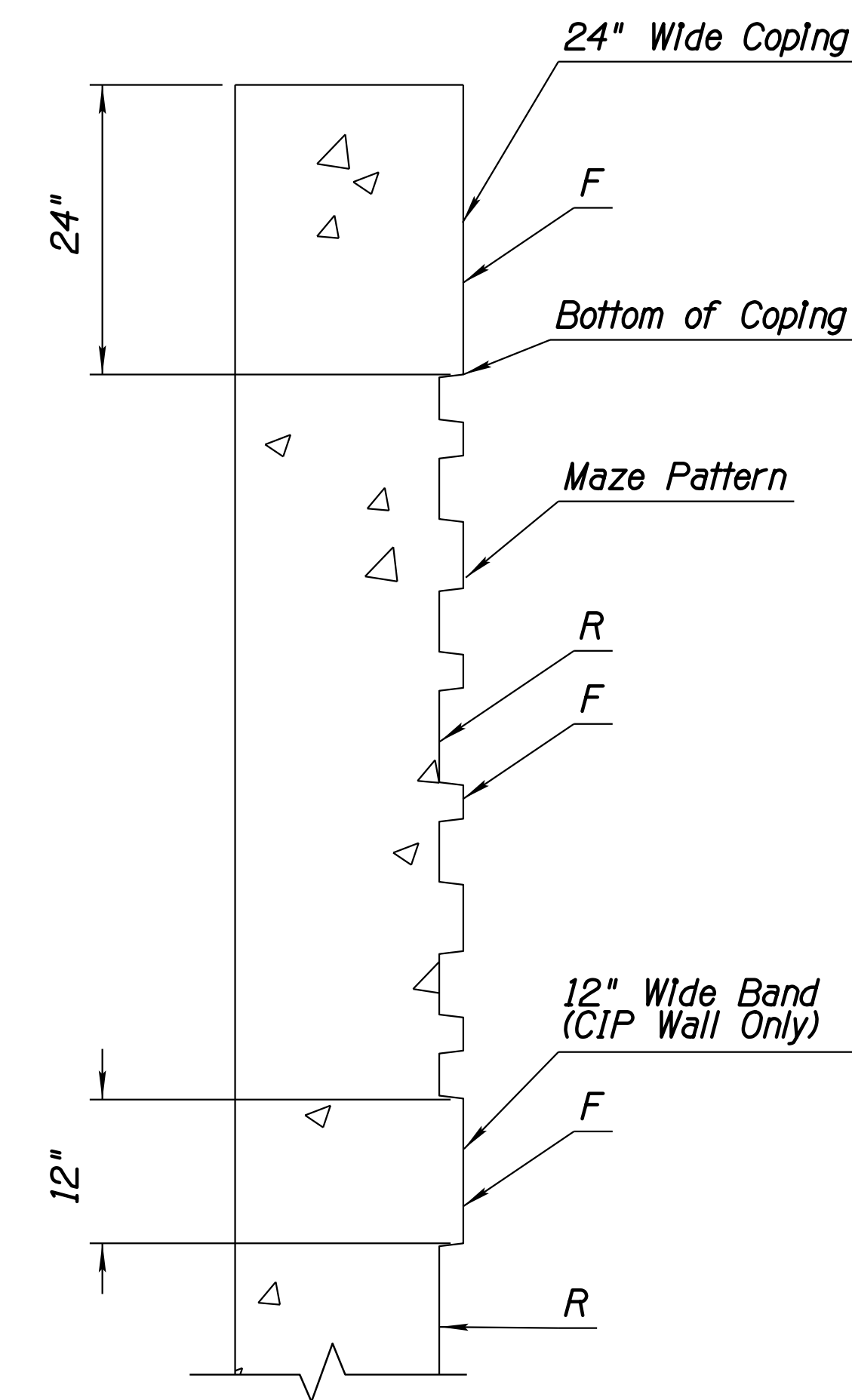
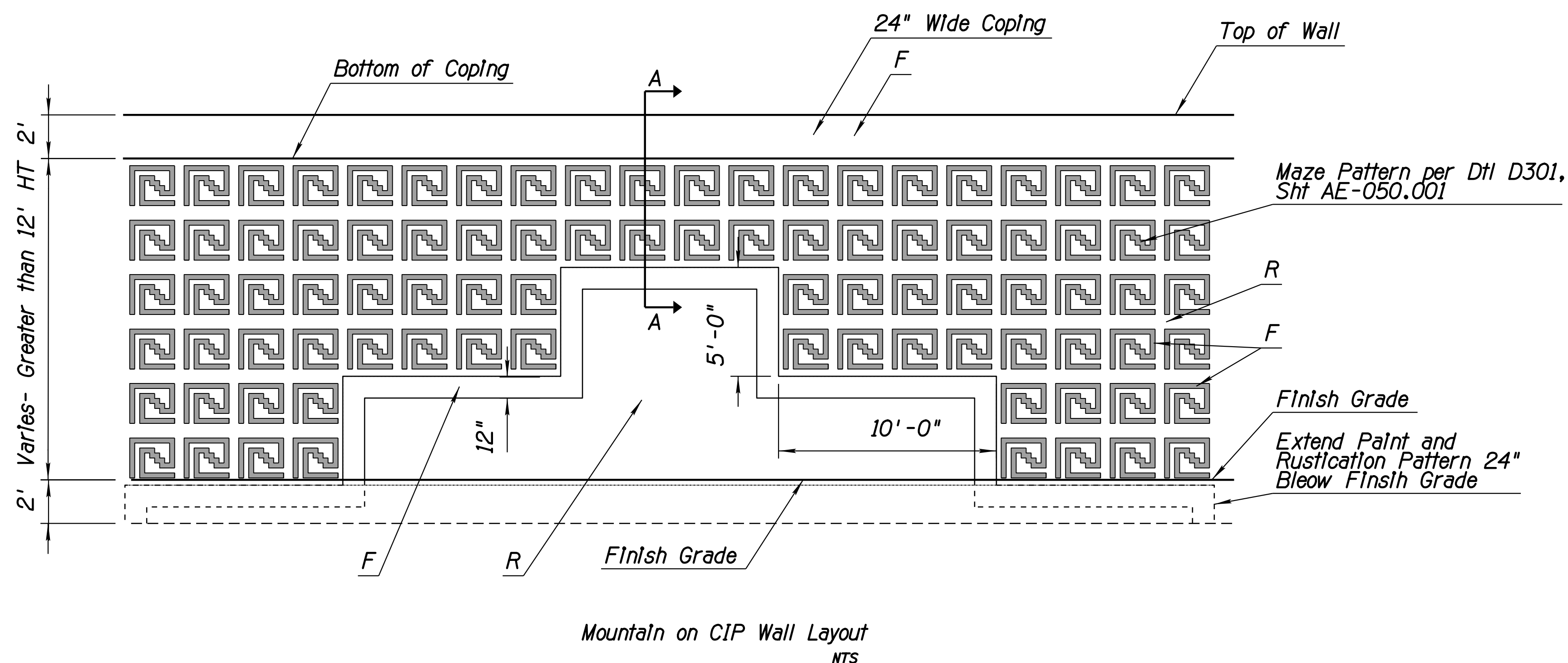
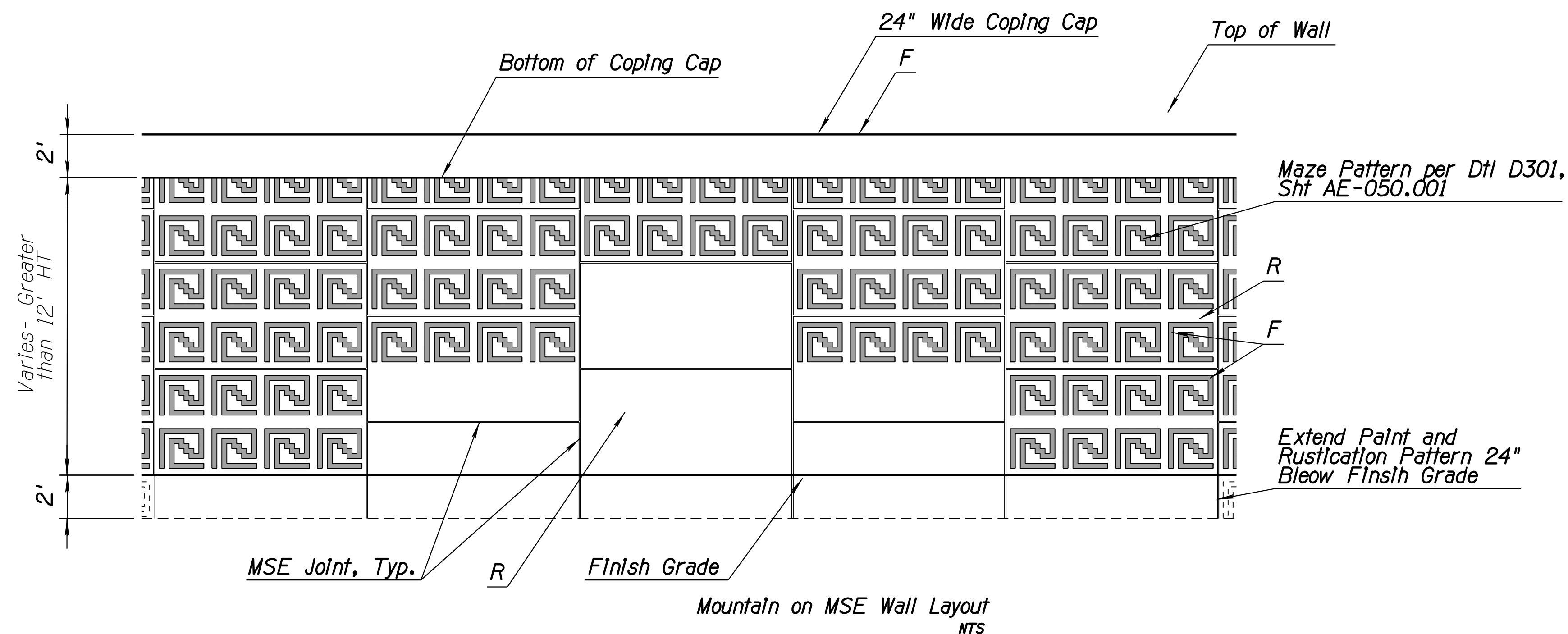
REV	DATE	DESCRIPTION	BY	NAME	DATE	ARIZONA DEPARTMENT OF TRANSPORTATION INFRASTRUCTURE DELIVERY AND OPERATIONS DIVISION ROADSIDE DEVELOPMENT SERVICES	PRELIMINARY DESIGN Review NOT FOR CONSTRUCTION OR RECORDING DWG NO. AE-050.001
				DESIGN: JSP	06-21	CHARACTER AREA 2 AESTHETIC DETAILS	OF
				DRAWN: J2CAD	06-21		
				CHECKED: GD	06-21		
				ROUTE: I-10	LOCATION: I-17 (SPLIT) TO SR202L (SANTAN)		
PULICE ▶ FNF ▶ FLATIRON JOINT VENTURE				TRACS NO. F0072 01C		010-C(220)S	

Workspace: ...IPLOT\bin\iplotdrv.mpl
 Plot Driver: ...IPLOT\bin\iplotdrv.mpl
 PenTable: AzDOT_BW_Full.tbl
 Location: ...
 Survey No.: ...
 Date: ...
 Revisions: ...
 Finished Plans: ...

AZDOT_BW_FULL.TBL
 ... \DMS00093\AZDOT_BW_FULL.TBL
 IPLOT\BIN\IPLOTDRV.MPL

F.H.W.A. REGION	STATE	PROJECT NO.	SHEET NO.	TOTAL SHEETS	AS BUILT
9	ARIZ.	010-C(220)S			

010 MA 149



DETAIL D302 NTS

CHARACTER AREA 2 - MOUNTAIN PATTERN

NOTES:

- Walls Shorter than 150' In Length or Shorter than 12' from Bottom of Coping to Finished Grade Shall be Maze Rustication Only.

LEGEND:

- F= Flush
- R= 2" Recess

PAINT COLOR LEGEND:

- Base Paint- Color B1

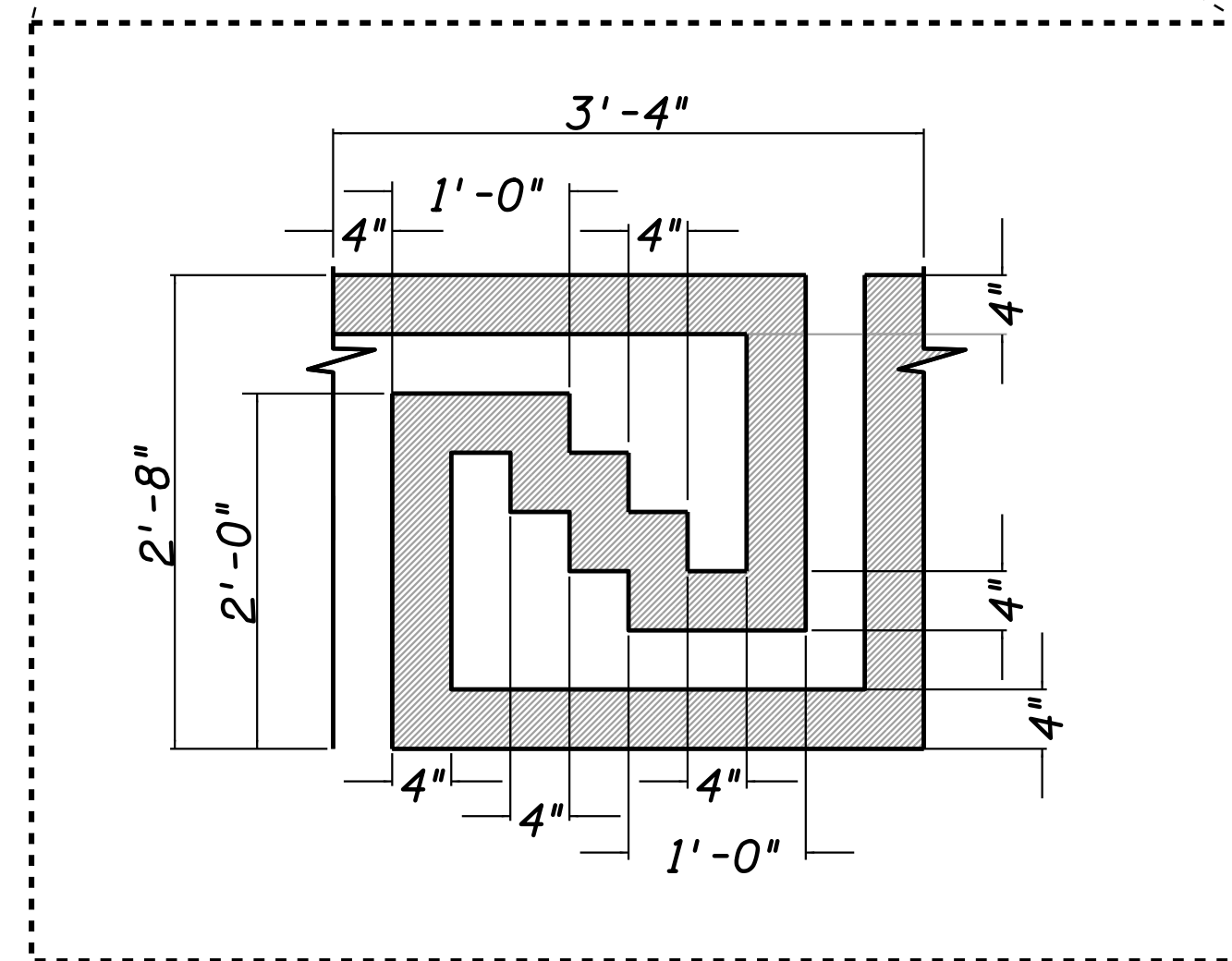
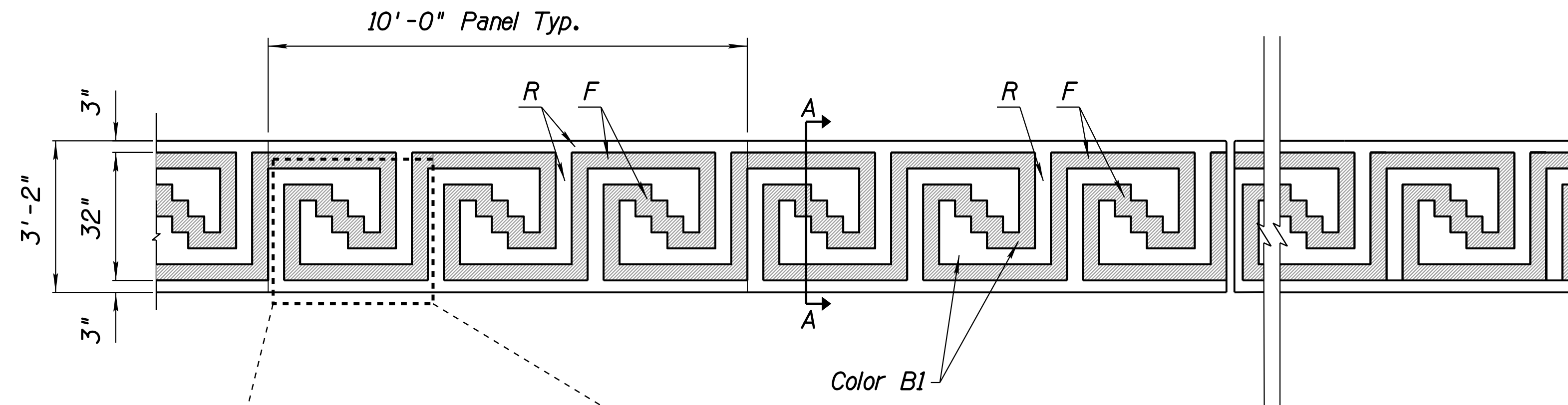
REV	DATE	DESCRIPTION	BY	NAME	DATE	ARIZONA DEPARTMENT OF TRANSPORTATION INFRASTRUCTURE DELIVERY AND OPERATIONS DIVISION ROADSIDE DEVELOPMENT SERVICES	PRELIMINARY DESIGN
DESIGN	JSP				06-21	CHARACTER AREA 2 AESTHETIC DETAILS	Review NOT FOR CONSTRUCTION OR RECORDING
DRAWN	J2CAD				06-21		
CHECKED	GD				06-21		
						ROUTE: I-10 LOCATION: I-17 (SPLIT) TO SR202L (SANTAN)	
PULICE > FNF > FLATIRON JOINT VENTURE						TRACS NO. F0072 01C 010-C(220)S	
						DWG NO. AE-050-002 OF	

Plot Driver: ...IPLOT\bin\iplotdrv.mpl
 Workspace: ...IPLOT\bin\iplotdrv.mpl
 Survey No. LOCATION REVISIONS FINISHED PLANS SURVEY NO. DATE

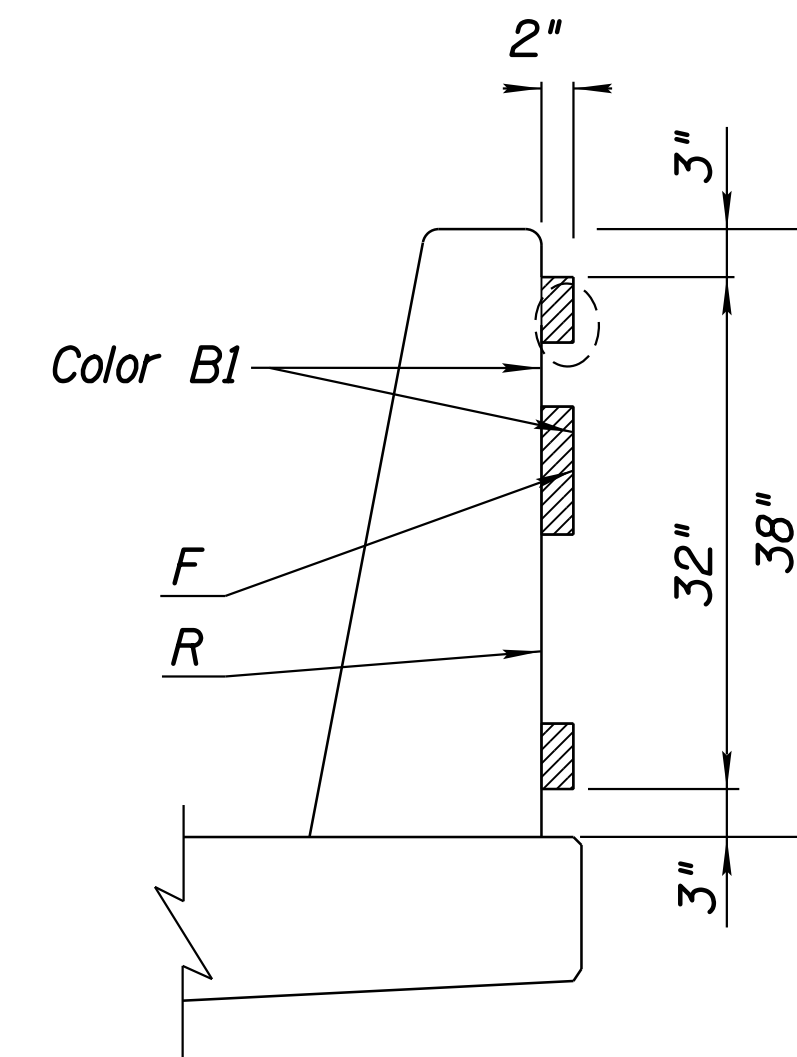
AZDOT_BW_FULL.TBL
 ... \DMS00093\AZDOT_BW_FULL.TBL
 IPLOT\BIN\IPLOTDRV.MPL

F.H.W.A. REGION	STATE	PROJECT NO.	SHEET NO.	TOTAL SHEETS	AS BUILT
9	ARIZ.	010-C(220)S			

010 MA 149



BRIDGE BARRIER RUSTICATION DETAIL
NTS



LEGEND: PAINT COLOR MATRIX
 F= Flush Base Paint- Color B1
 R= 2" Recess

BARRIER NOTES:

1. Developer Shall Rusticate Bridge Barriers as Per Section 800.03.01.01 of the Technical Provisions.
2. Locate Barrier Panels to Minimize Partial Panels That Occur at the Ends of Approaches.
3. Partial Panels Shall Be Painted Color B1 Without Rustication.

DETAIL D303

CHARACTER AREA 2 - BARRIER RUSTICATION

NTS

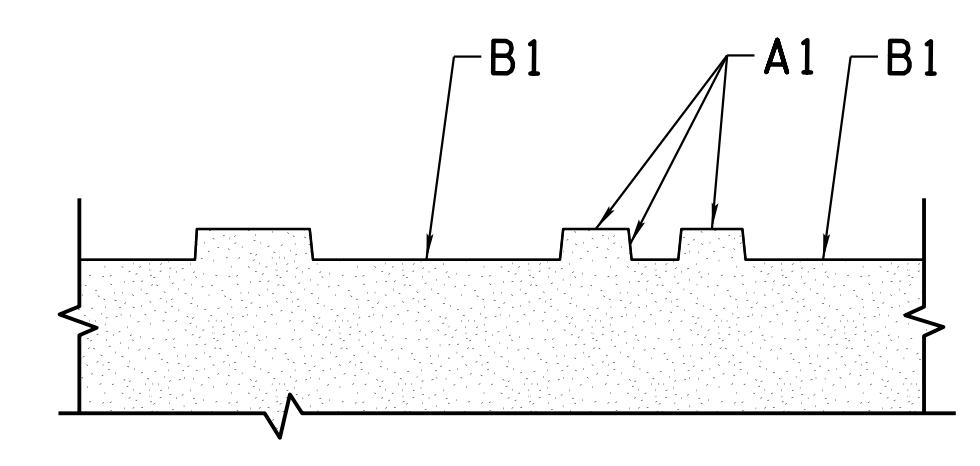
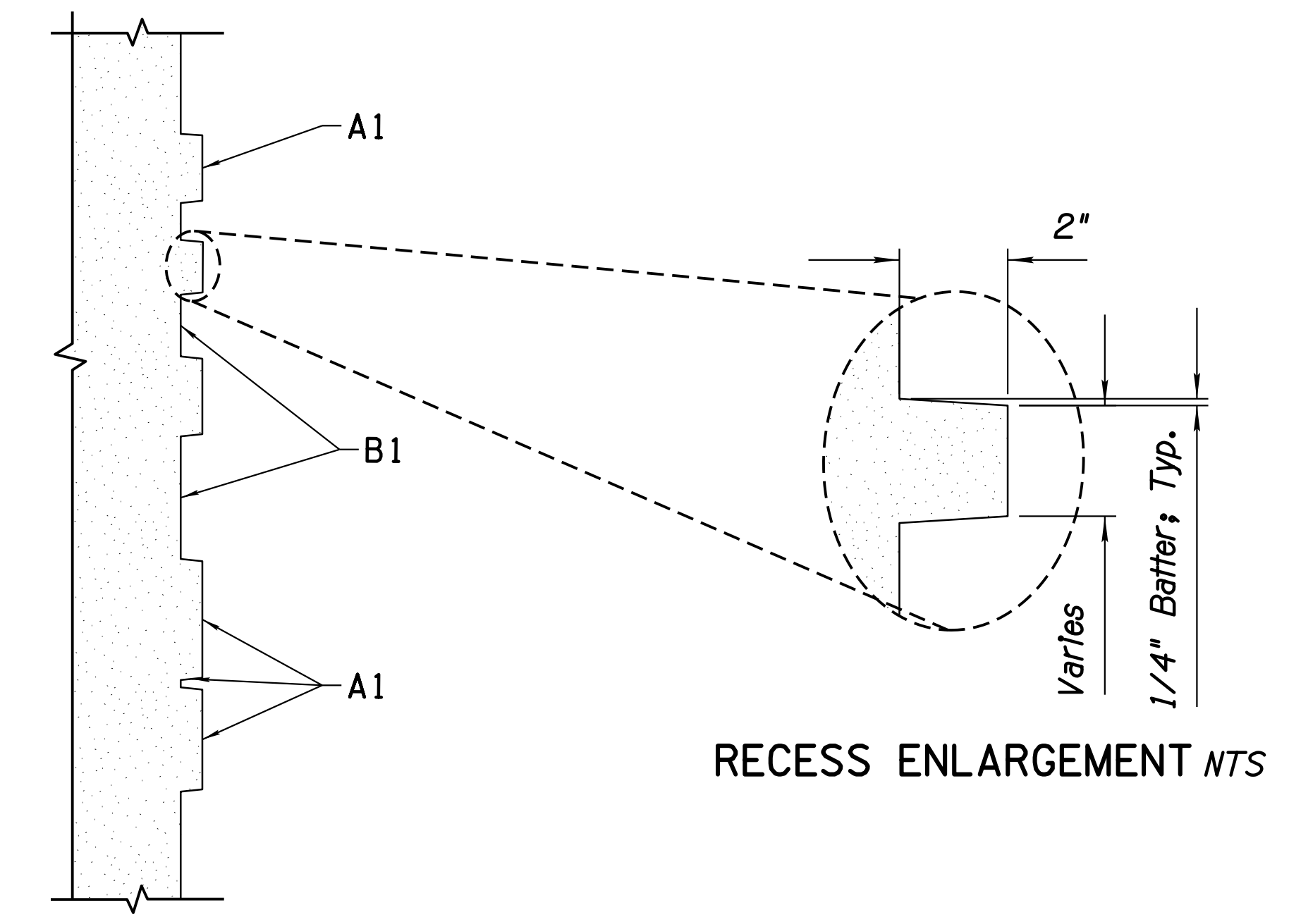
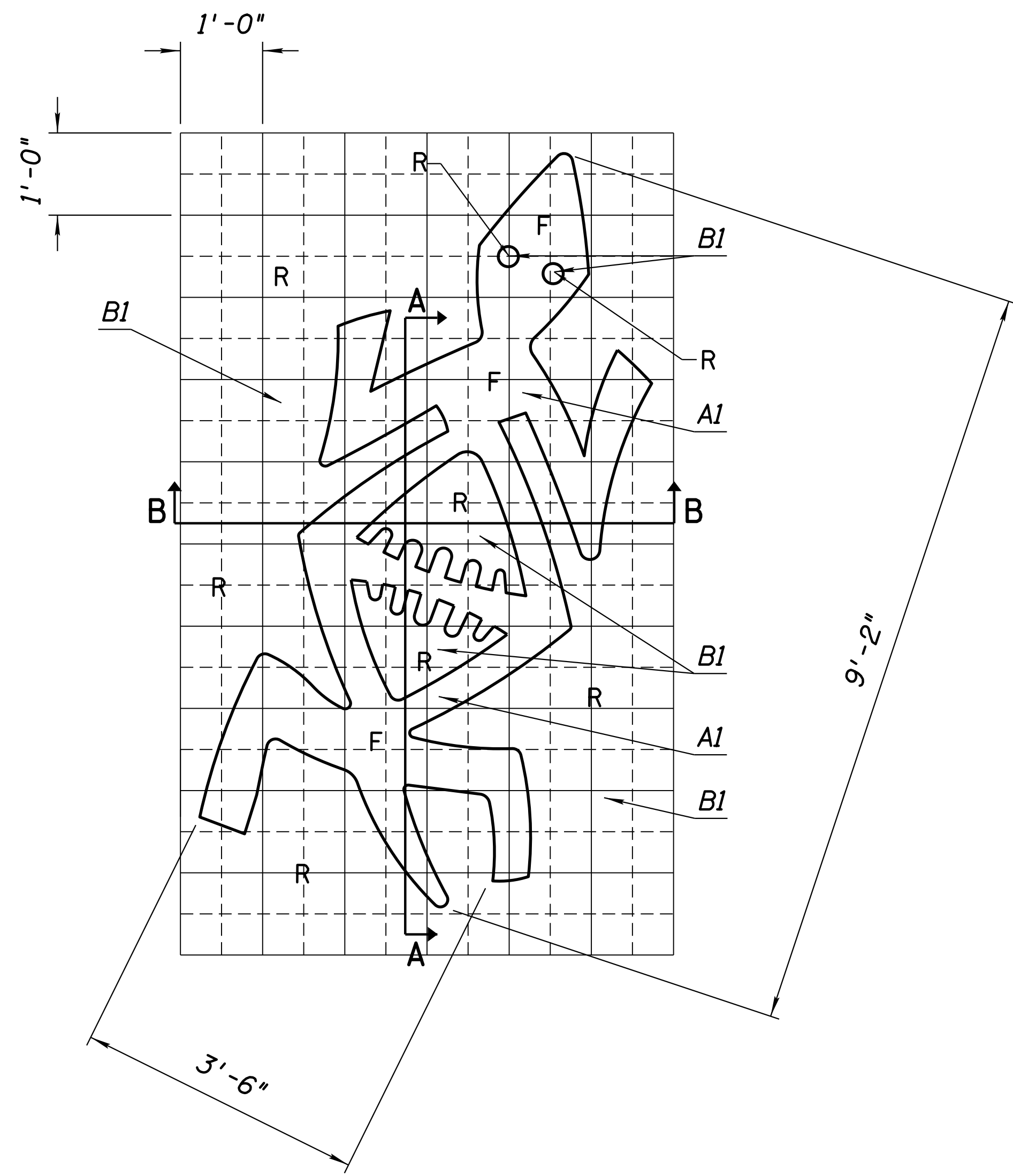
REV	DATE	DESCRIPTION	BY	NAME	DATE	ARIZONA DEPARTMENT OF TRANSPORTATION INFRASTRUCTURE DELIVERY AND OPERATIONS DIVISION ROADSIDE DEVELOPMENT SERVICES	PRELIMINARY DESIGN Review NOT FOR CONSTRUCTION OR RECORDING DWG NO. AE-050.003
				DESIGN JSP	06-21		
				DRAWN J2CAD	06-21		
				CHECKED GD	06-21	CHARACTER AREA 2 AESTHETIC DETAILS	DWG NO. AE-050.003
 J2 Engineering and Environmental Design 4649 East Cotton Gin Loop, Suite B2 Phoenix, Arizona 85040 Phone: 602.438.2221 www.j2design.us							
PULICE ▶ FNF ▶ FLATIRON JOINT VENTURE				ROUTE I-10	LOCATION I-17 (SPLIT) TO SR202L (SANTAN)	010-C(220)S	
				TRACS NO. F0072 01C		OF	

Plot Driver: ...IPL0T\bin\iplotdrv.mpl
 Workspace: ...IPL0T\bin\iplotdrv.mpl
 Survey No. FINISHED PLANS REVISIONS LOCATION

AZDOT_BW_FULL.TBL
 ... \DMS00093\AZDOT_BW_FULL.TBL
 IPL0T\BIN\IPL0TDRVM.PLT

F.H.W.A. REGION	STATE	PROJECT NO.	SHEET NO.	TOTAL SHEETS	AS BUILT
9	ARIZ.	010-C(220)S			

010 MA 149



LEGEND:
 F = Flush
 R = 2" Recess (C.I.P.)

PAINT COLOR LEGEND:
 Base Paint- Color B1
 Accent Paint- Color A1

DETAIL D304 NTS

CHARACTER AREA 1 - LIZARD ICON

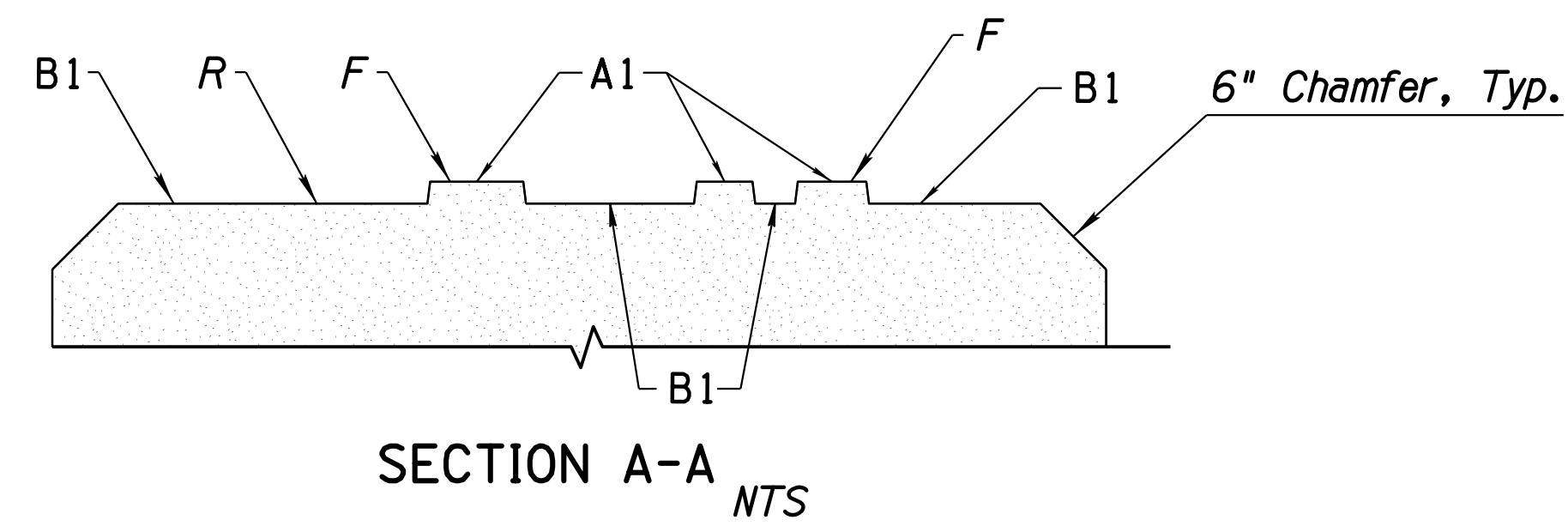
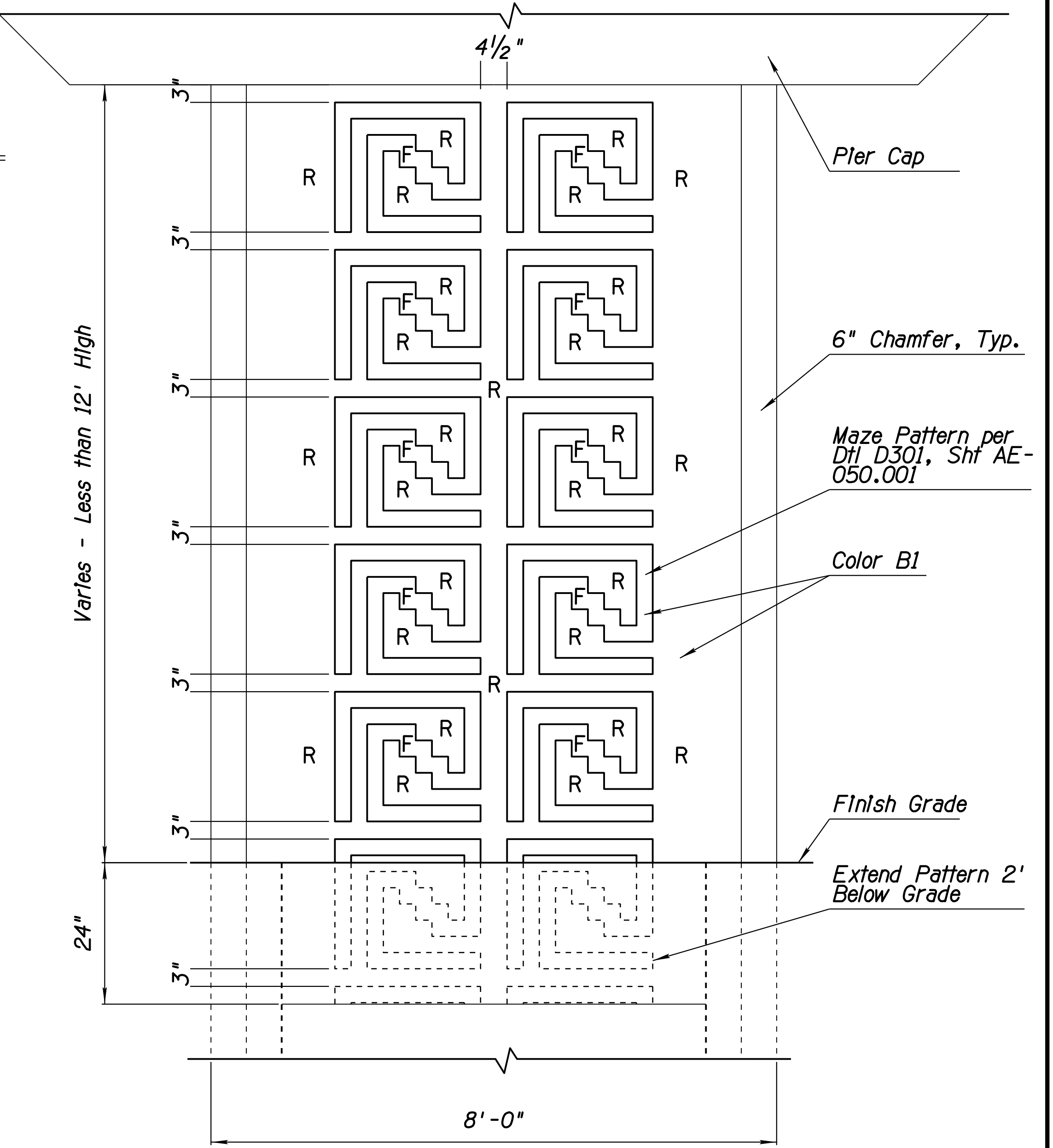
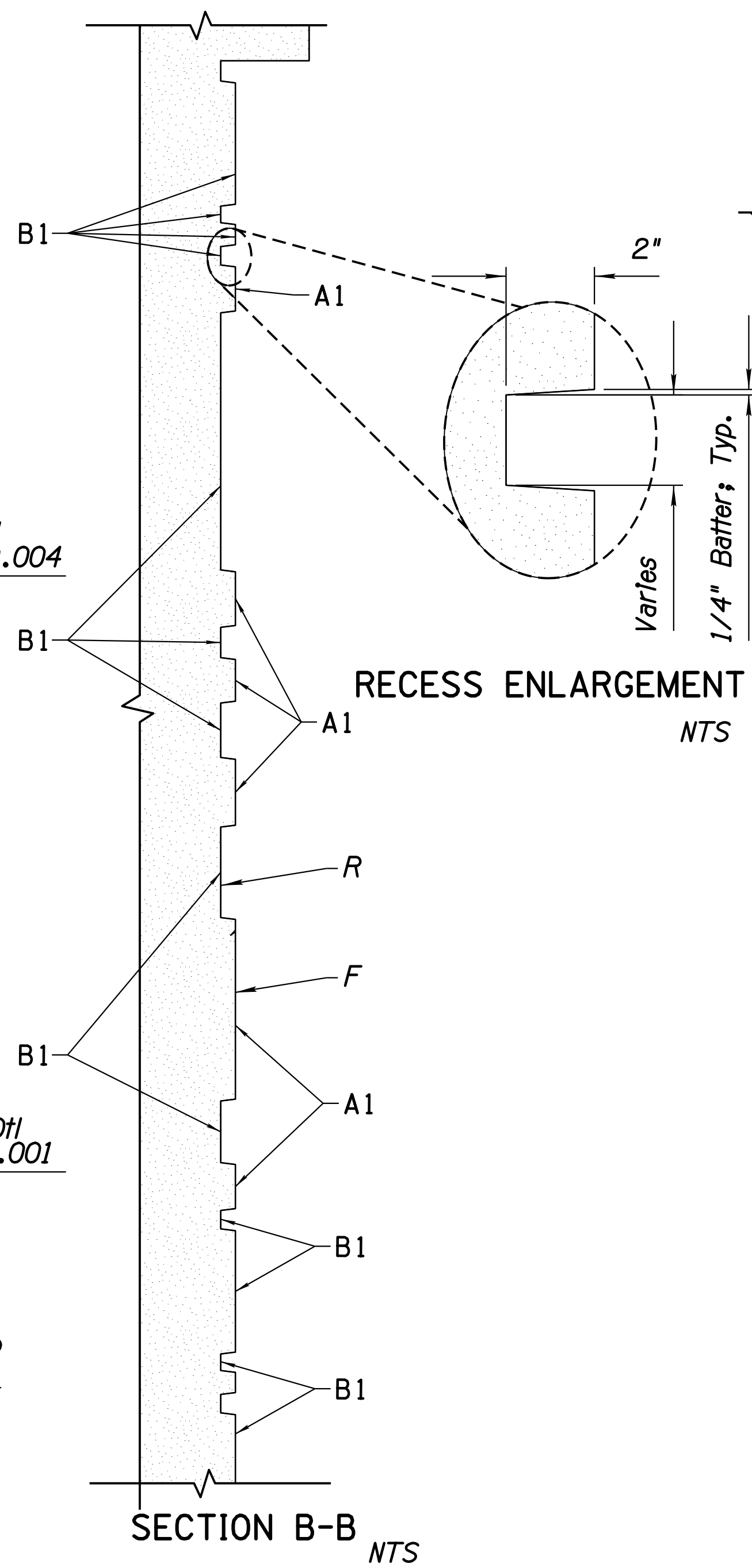
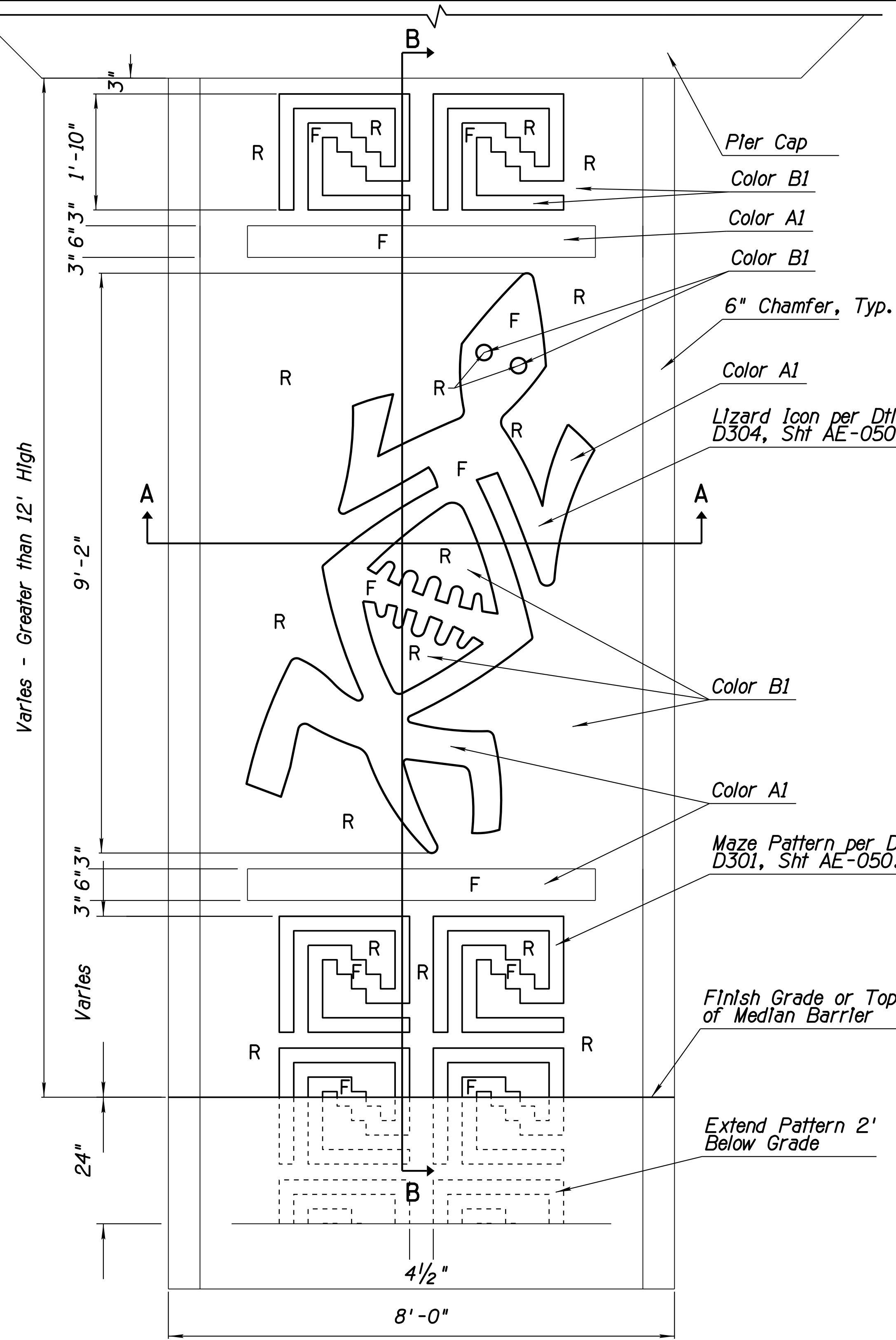
REV	DATE	DESCRIPTION	BY	NAME	DATE	ARIZONA DEPARTMENT OF TRANSPORTATION INFRASTRUCTURE DELIVERY AND OPERATIONS DIVISION ROADSIDE DEVELOPMENT SERVICES	PRELIMINARY DESIGN Review NOT FOR CONSTRUCTION OR RECORDING DWG NO. AE-050.004
				JSP	06-21		
				J2CAD	06-21		
				GD	06-21	CHARACTER AREA 2 AESTHETIC DETAILS	
 4649 East Cotton Gin Loop, Suite B2 Phoenix, Arizona 85040 Phone: 602.438.2221 www.j2design.us							
ROUTE		LOCATION		I-10		I-17 (SPLIT) TO SR202L (SANTAN)	
PULICE > FNF > FLATIRON JOINT VENTURE				TRACS NO. F0072 01C		010-C(220)S	

Plot Driver: ...IPLOT\bin\iplotdrv.mpl
 Survey No. LOCATION DATE REVISIONS-
 Workspace: FINISHED PLANS-
 PenTable: AzDOT_BW_Full.tbl
 LOCATION- REVISIONS-
 AZDOT_STANDARD
 6/7/2021
 \\TYLIPW01ICS01\1\CS_pdf_work_dir\80856\151790_24\r-0072AE-050.004.dgn

IPLOTDRVM.PLT
 AZDOT_BW_FULL.TBL
 ... \DMS00093\AZDOT_BW_FULL.TBL

F.H.W.A. REGION	STATE	PROJECT NO.	SHEET NO.	TOTAL SHEETS	AS BUILT
9	ARIZ.	010-C(220)S			

010 MA 149



LEGEND:
 F= Flush
 R= 2" Recess

PAINT COLOR LEGEND:
 Base Paint- Color B1
 Accent Paint- Color A1

DETAIL D305 NTS

CHARACTER AREA 2 - 8' WIDE PIER RUSTICATION

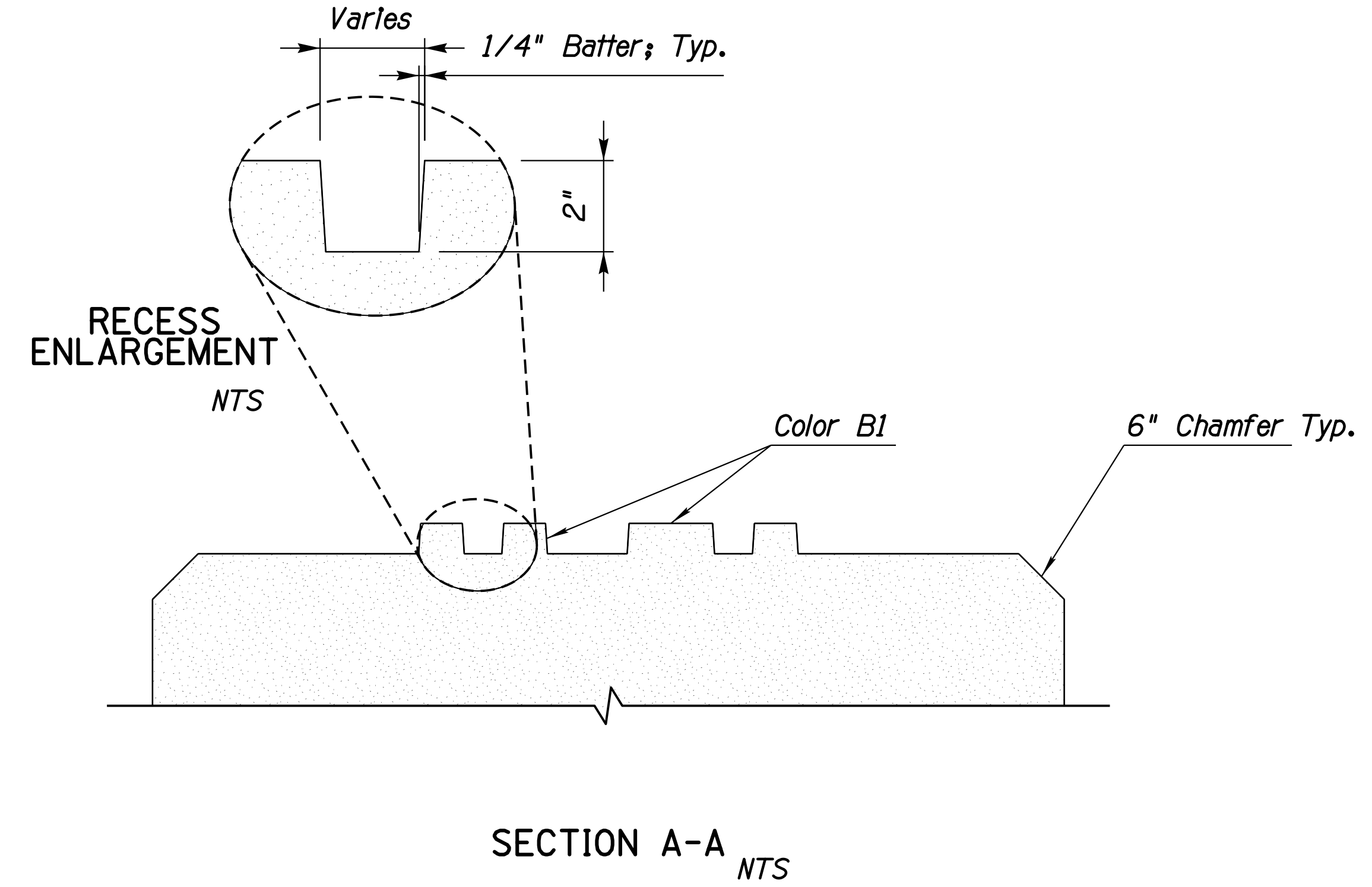
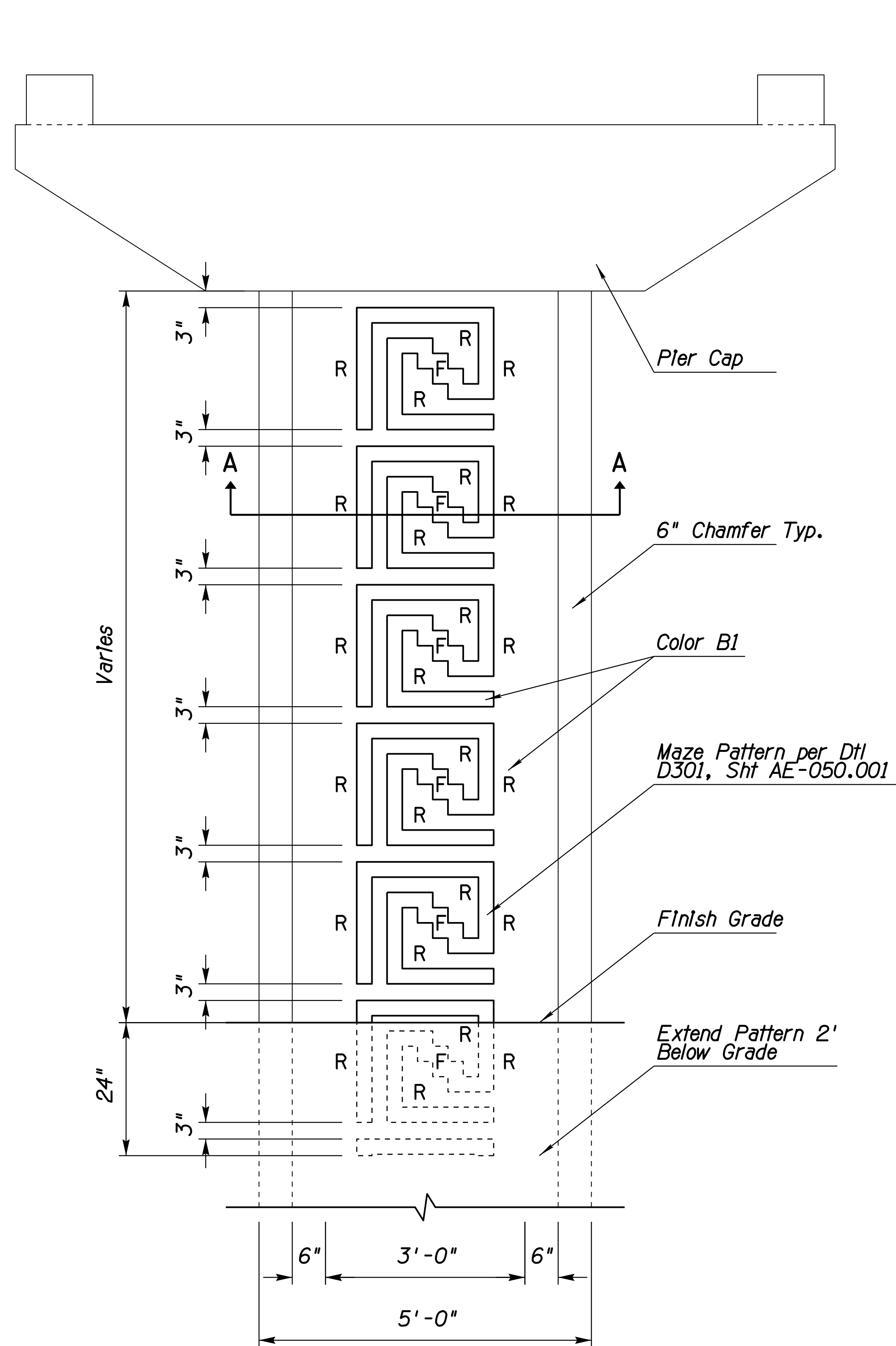
REV	DATE	DESCRIPTION	BY	NAME	DATE	ARIZONA DEPARTMENT OF TRANSPORTATION INFRASTRUCTURE DELIVERY AND OPERATIONS DIVISION ROADSIDE DEVELOPMENT SERVICES	PRELIMINARY DESIGN Review NOT FOR CONSTRUCTION OR RECORDING
				JSP	06-21	CHARACTER AREA 2 AESTHETIC DETAILS	DWG NO. AE-050.005 OF
				J2CAD	06-21		
				GD	06-21		
J2 Engineering and Environmental Design 4649 East Cotton Gin Loop, Suite B2 Phoenix, Arizona 85040 Phone: 602.438.2221 www.j2designus.com						CHARACTER AREA 2 AESTHETIC DETAILS	
PULICE ▶ FNF ▶ FLATIRON JOINT VENTURE						ROUTE I-10 LOCATION I-17 (SPLIT) TO SR202L (SANTAN)	
TRACS NO. F0072 01C						010-C(220)S	

Workspace: ...IPLOT\bin\iplotdrv.mpl
 Plot Driver: ...IPLOT\bin\iplotdrv.mpl
 PenTable: AzDOT_BW_Full.tbl
 SURVEY NO. LOCATION: DATE: REVISIONS: FINISHED PLANS:

AZDOT_BW_FULL.TBL
 ... \DMS00093\AZDOT_BW_FULL.TBL
 ... \IPLOT\BIN\IPLOTDRV.MPL

F.H.W.A. REGION	STATE	PROJECT NO.	SHEET NO.	TOTAL SHEETS	AS BUILT
9	ARIZ.	010-C(220)S			

010 MA 149



DETAIL D306 NTS

CHARACTER AREA 2 - 5' WIDE PIER RUSTICATION

LEGEND:
 F= Flush
 R= 2" Recess

PAINT COLOR LEGEND:
 Base Paint- Color B1

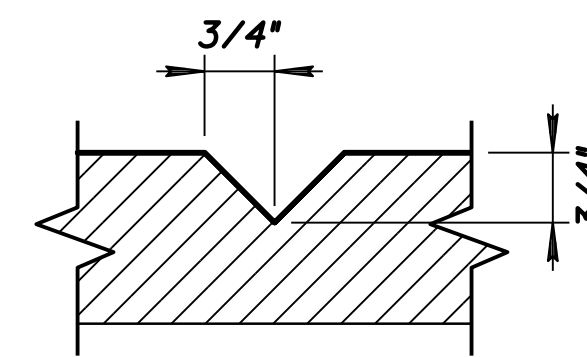
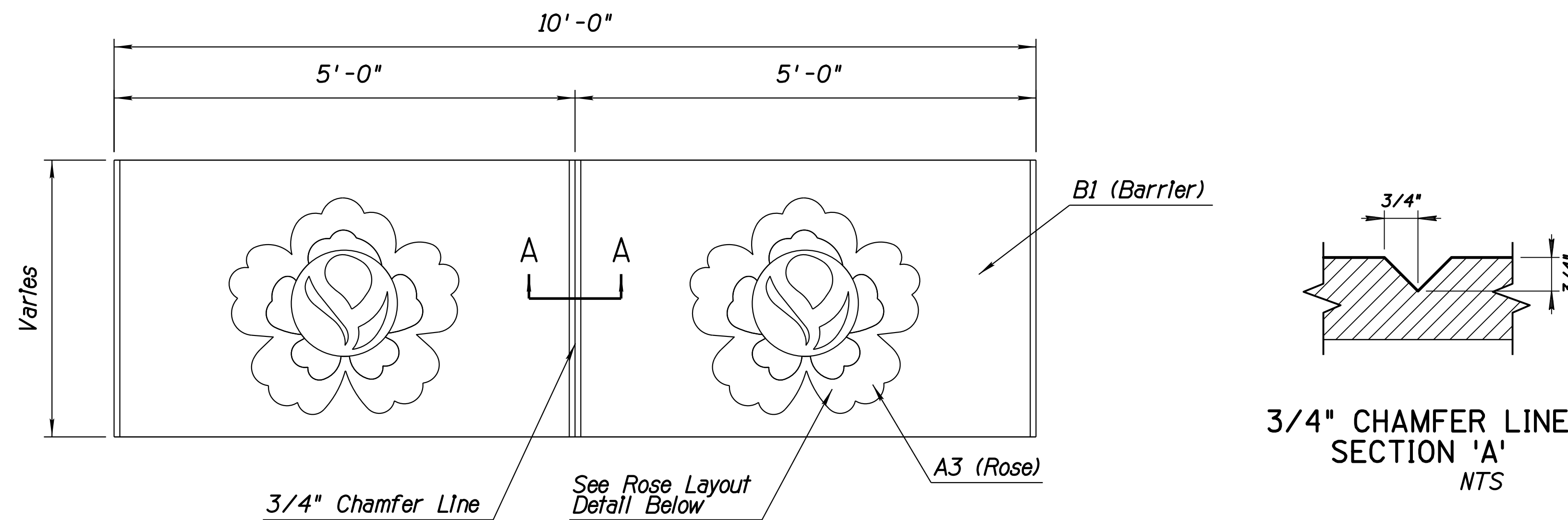
REV	DATE	DESCRIPTION	BY	NAME	DATE	ARIZONA DEPARTMENT OF TRANSPORTATION INFRASTRUCTURE DELIVERY AND OPERATIONS DIVISION ROADSIDE DEVELOPMENT SERVICES	PRELIMINARY DESIGN Review NOT FOR CONSTRUCTION OR RECORDING
				DESIGN JSP	06-21	CHARACTER AREA 2 AESTHETIC DETAILS	DWG NO. AE-050.006 OF
				DRAWN J2CAD	06-21		
				CHECKED GD	06-21		
				 J2 Engineering and Environmental Design 4649 East Cotton Gin Loop, Suite B2 Phoenix, Arizona 85040 Phone: 602.438.2221 www.j2design.us			
				ROUTE I-10	LOCATION I-17 (SPLIT) TO SR202L (SANTAN)		
				PULICE > FNF > FLATIRON JOINT VENTURE		TRACS NO. F0072 01C	010-C(220)S

Plot Driver: ...IPLOT\bin\iplotdrv.mpl
 LOCATION: ...
 REVISIONS: ...
 FINISHED PLANS: ...
 SURVEY NO.: ...
 DATE: ...
 WORKSPACE: ...

AZDOT_BW_FULL.TBL
 ... \DMS00093\AZDOT_BW_FULL.TBL
 IPLOTDRM.PLT
 ... \IPLOT\BIN\IPLOTDRM.PLT

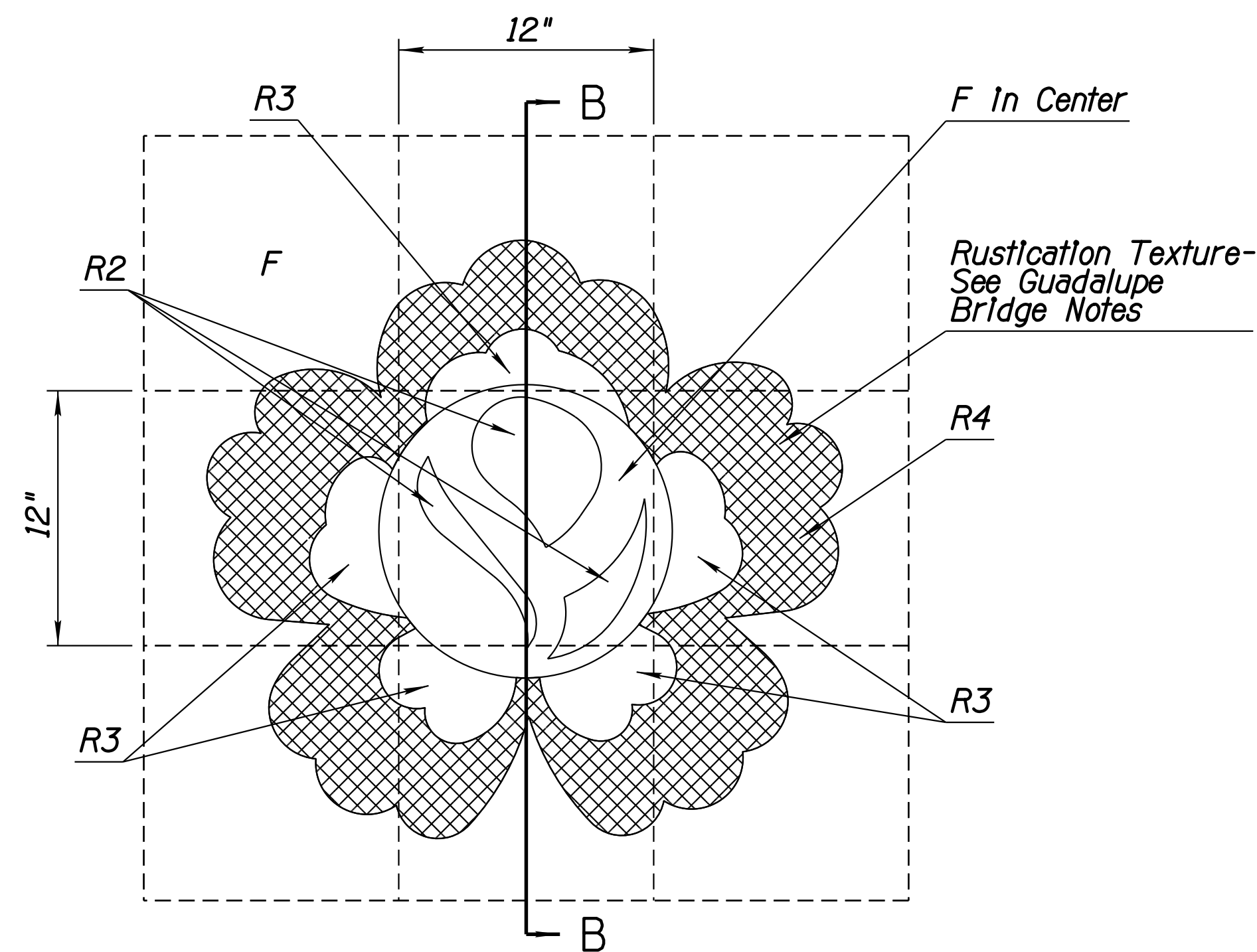
F.H.W.A. REGION	STATE	PROJECT NO.	SHEET NO.	TOTAL SHEETS	AS BUILT
9	ARIZ.	010-C(220)S			

010 MA 149

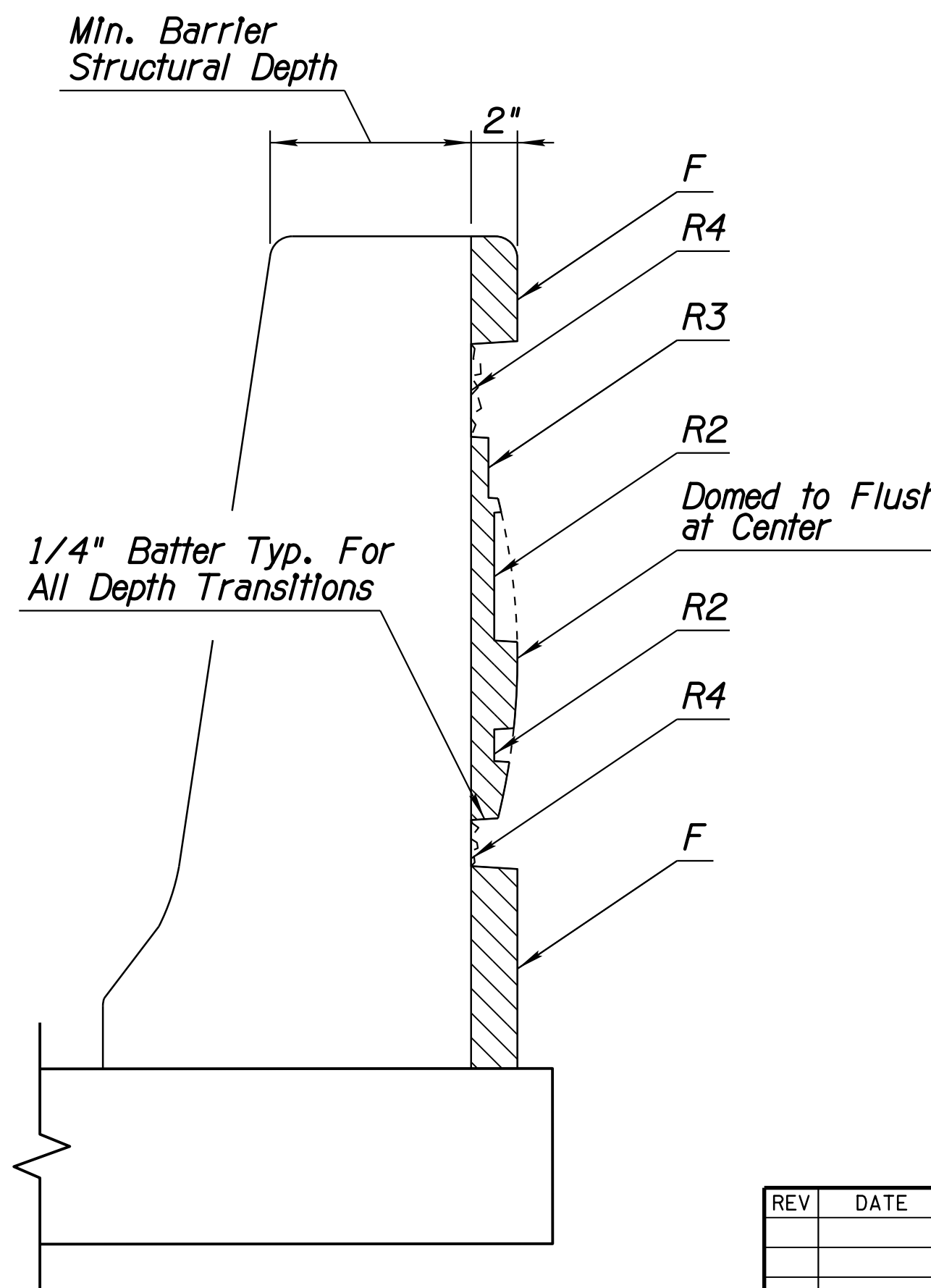


3/4" CHAMFER LINE SECTION 'A' NTS

- GUADALUPE BRIDGE NOTES:**
1. New Rustication Shall Only Occur on the Modified Side of the Bridge.
 2. Rustication to Have 2" Depth / Relief as a CIP or Post Applied Application as Approved by ADOT.
 3. See the Technical Provisions for Painting Bridge Elements to Remain In Place.
 4. Developer Shall Provide Shop Drawings for all Aesthetic Patterns and Fabrication Details for Approval by ADOT prior to Fabrication.
 5. Rustication Texture on Bridge Barrier to be Fitzgerald Formliner #16981 Exposed Aggregate or Approved Equal.



ROSE BARRIER PATTERN LAYOUT NTS



SECTION 'B' NTS

RUSTICATION LEGEND

- F = Flush
- R = 1/2" Recessed
- R1 = 3/4" Recessed
- R2 = 1" Recessed
- R3 = 1 1/4" Recessed
- R4 = 2" Recessed

PAINT COLOR LEGEND:

- Base Paint- Color B1
- Accent Paint- Color A3

DETAIL D307 NTS

CHARACTER AREA 2 - ROSE RUSTICATION FOR BARRIER WALLS

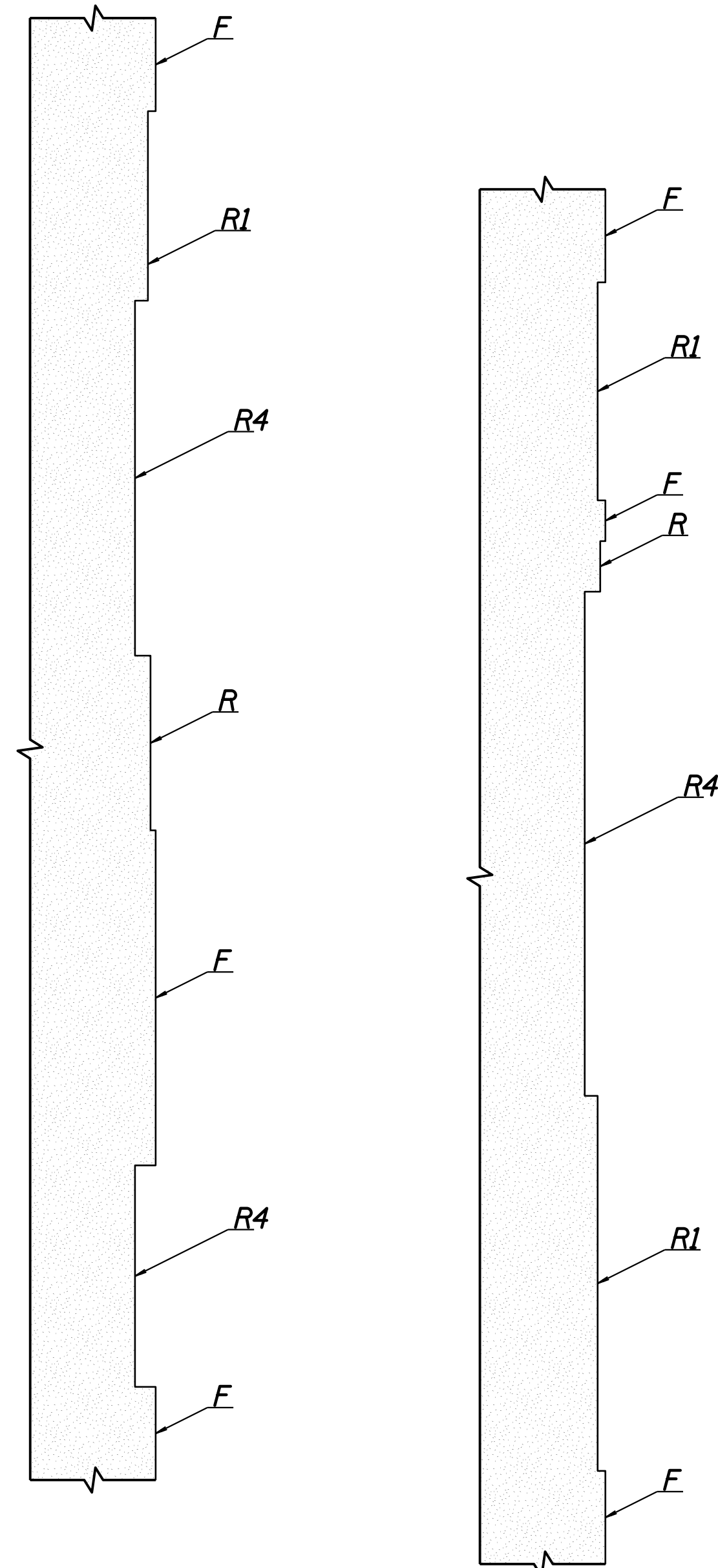
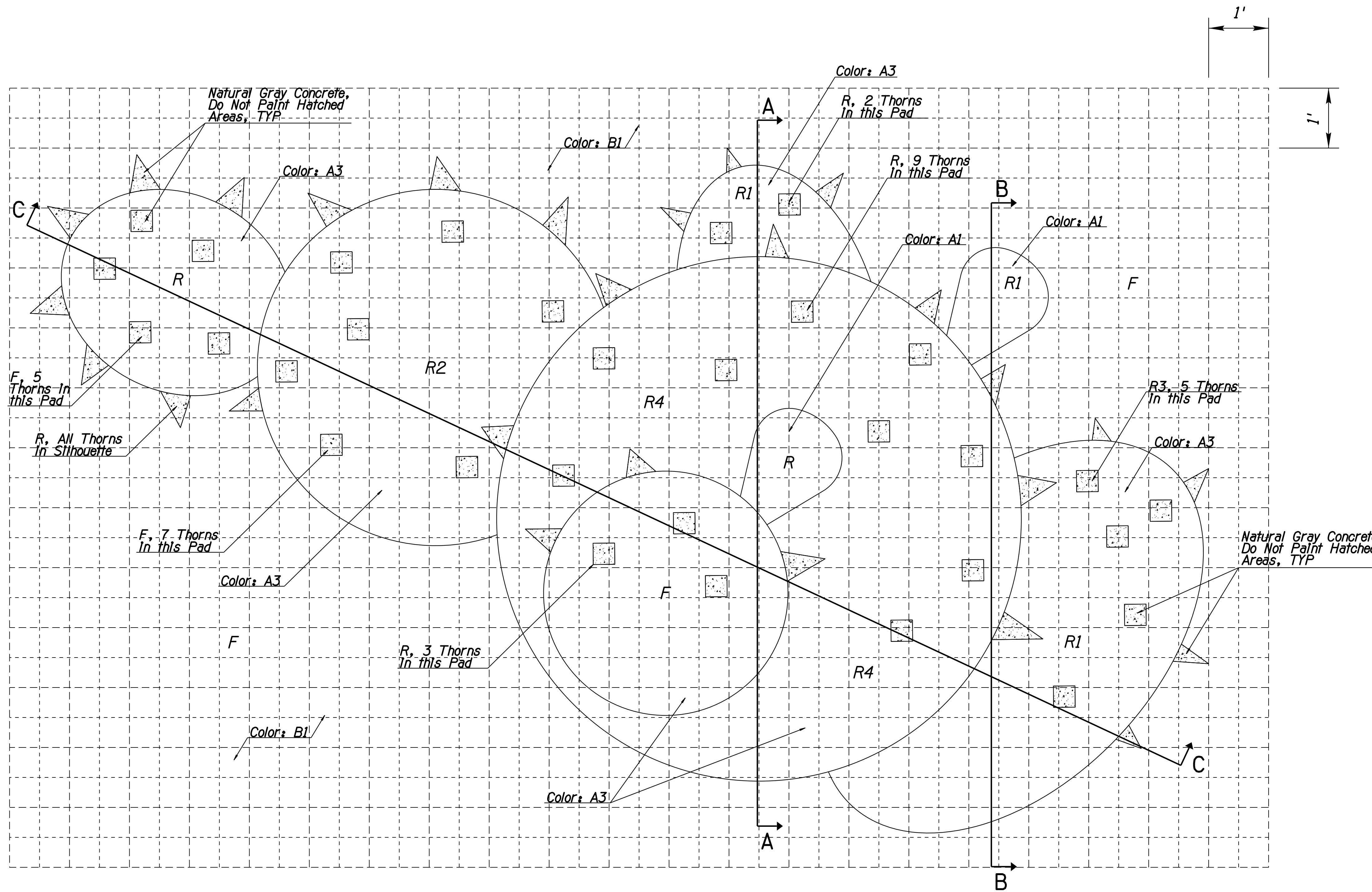
REV	DATE	DESCRIPTION	BY	NAME	DATE	ARIZONA DEPARTMENT OF TRANSPORTATION INFRASTRUCTURE DELIVERY AND OPERATIONS DIVISION ROADSIDE DEVELOPMENT SERVICES	PRELIMINARY DESIGN Review NOT FOR CONSTRUCTION OR RECORDING	
				DESIGN JSP	06-21	CHARACTER AREA 2 AESTHETIC DETAILS	DWG NO. AE-050.007	
				DRAWN J2CAD	06-21			
				CHECKED GD	06-21			
<p>J2 Engineering and Environmental Design 4649 East Cotton Gin Loop, Suite B2 Phoenix, Arizona 85040 Phone: 602.438.2221 www.j2design.us</p>						ROUTE I-10 LOCATION I-17 (SPLIT) TO SR202L (SANTAN)		
PULICE • FNF • FLATIRON JOINT VENTURE						TRACS NO. F0072 01C	010-C(220)S	OF

Workspace: ...IPLOT\BIN\IPLOTDRVM.PLT
 SURVEY NO. FINISHED PLANS
 Plot Driver: ...IPLOT\BIN\IPLOTDRVM.PLT
 DATE: ...
 SURVEY NO. REVISIONS-
 LOCATION: AZDOT_BW_Full.tbl
 REVISIONS-
 LOCATION:

AZDOT_BW_FULL.TBL
 ... \DMS00093\AZDOT_BW_FULL.TBL
 IPLOTDRVM.PLT
 ... \IPLOT\BIN\IPLOTDRVM.PLT

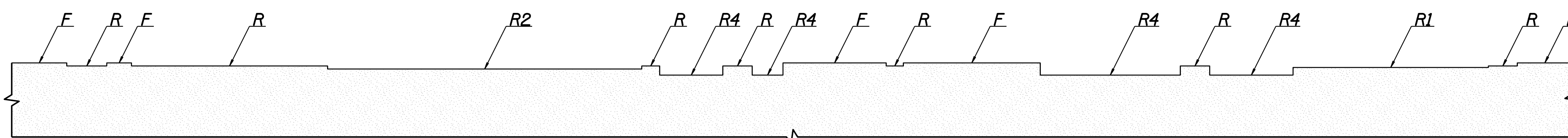
F.H.W.A. REGION	STATE	PROJECT NO.	SHEET NO.	TOTAL SHEETS	AS BUILT
9	ARIZ.	010-C(220)S			

010 MA 149



SECTION 'A' NTS

SECTION 'B' NTS



SECTION 'C' NTS

DETAIL D308 NTS

CHARACTER AREA 2 -
PRICKLY PEAR RUSTICATION

RUSTICATION LEGEND:

- F = Flush
- R = 1/2" Recessed
- R1 = 3/4" Recessed
- R2 = 1" Recessed
- R3 = 1 1/4" Recessed
- R4 = 2" Recessed

PAINT COLOR LEGEND:

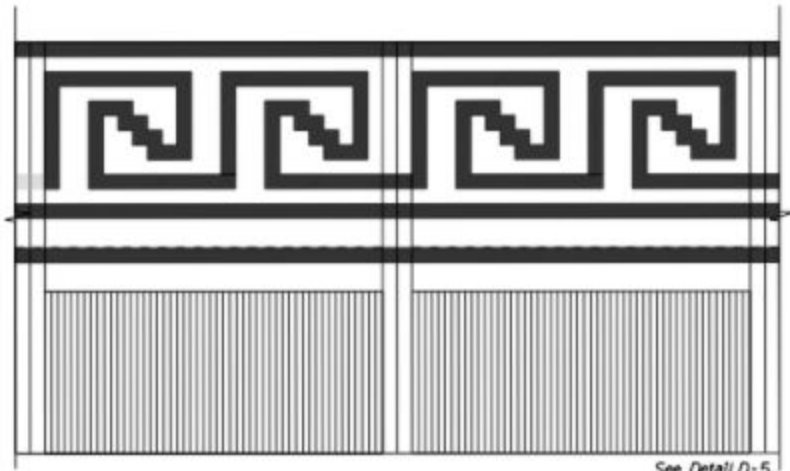
- Base Paint -Color B1
- Accent Paint -Color A1
- Accent Paint -Color A3

REV	DATE	DESCRIPTION	BY	NAME	DATE	ARIZONA DEPARTMENT OF TRANSPORTATION INFRASTRUCTURE DELIVERY AND OPERATIONS DIVISION ROADSIDE DEVELOPMENT SERVICES	PRELIMINARY DESIGN Review NOT FOR CONSTRUCTION OR RECORDING DWG NO. AE-050.008
				DESIGN JSP	06-21		
				DRAWN J2CAD	06-21		
				CHECKED GD	06-21	CHARACTER AREA 2 AESTHETIC DETAILS	
<p>J2 Engineering and Environmental Design 4649 East Cotton Gin Loop, Suite B2 Phoenix, Arizona 85040 Phone: 602.438.2221 www.j2designus.com</p>							
PULICE • FNF • FLATIRON JOINT VENTURE				ROUTE I-10	LOCATION I-17 (SPLIT) TO SR202L (SANTAN)		
				TRACS NO. F0072 01C	010-C(220)S		

Plot Driver: ...IPLOT\bin\iplotdrv.mpl
 Survey No. LOCATION: REVISIONS: FINISHED PLANS:

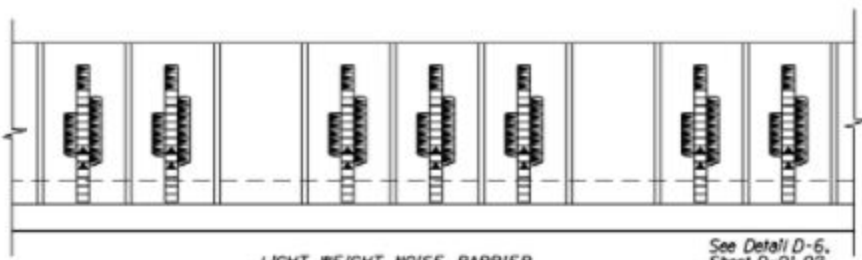
AZDOT_BW_FULL.TBL
 ... \DMS00093\AZDOT_BW_FULL.TBL
 IPLOT\BIN\IPLOTDRV.PLT

SHEET NO. FINISHED PLAN REVISIONS DATE:



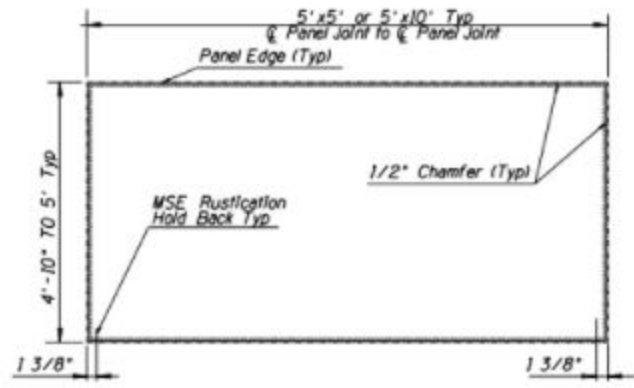
NOISE BARRIER
NTS

See Detail D-5,
Sheet D-01.01



LIGHT WEIGHT NOISE BARRIER
NTS

See Detail D-6,
Sheet D-01.02

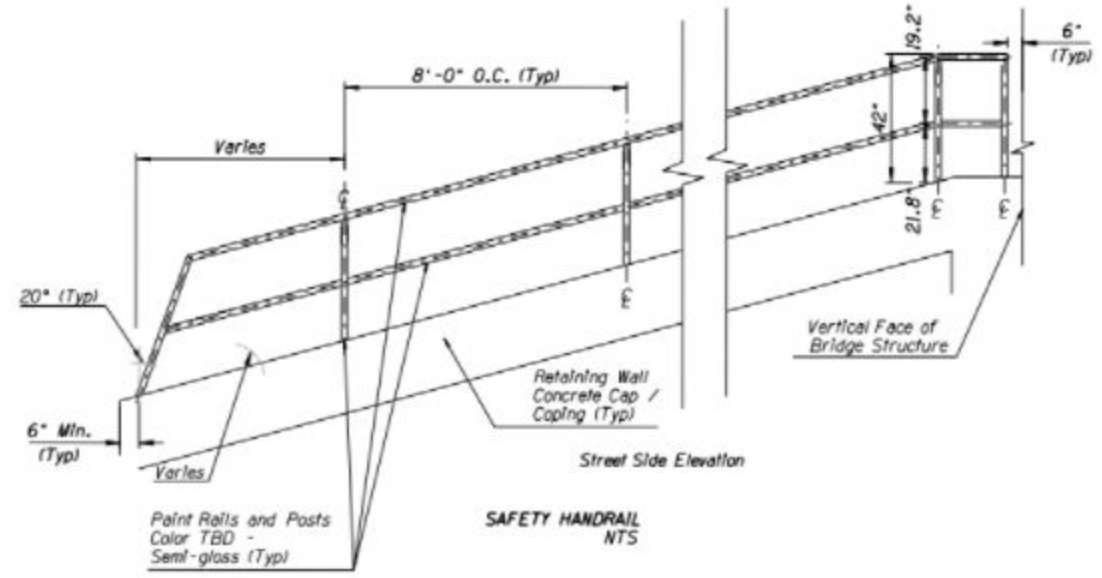


MSE PANEL
NTS

See Detail D-6,
Sheet D-01.02

NOTE:
1. MSE Panel Dimensions Schematic,
Developer to Provide Shop Drawings.

F.A.R.A. REGION	STATE	PROJECT NO.	SHEET NO.	TOTAL SHEETS	RECORD DRAWING
9	ARIZ.	010-C12201T			
		010 MA 149			

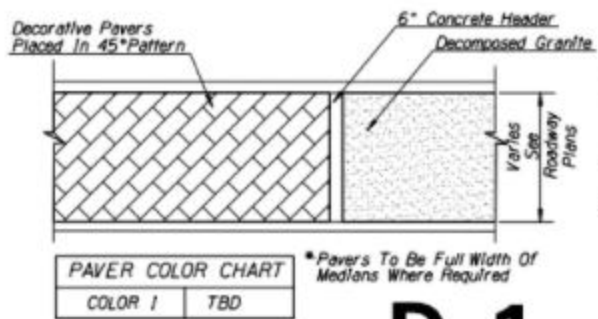


SAFETY HANDRAIL
NTS

PROJECT WIDE AESTHETICS

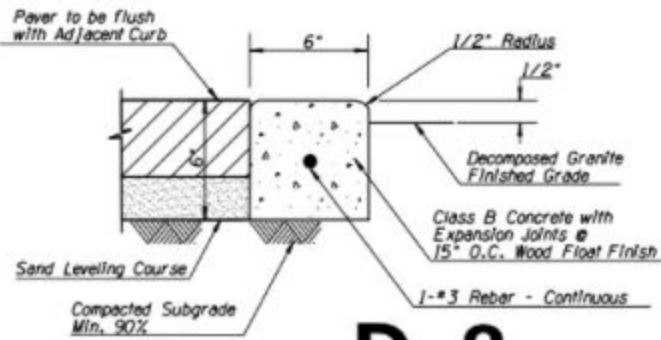
DESIGN	DATE	ARIZONA DEPARTMENT OF TRANSPORTATION INFRASTRUCTURE DELIVERY AND OPERATIONS DIVISION	PRELIMINARY
AS	10/19	ROADWAY DESIGN SERVICES	DRAFT
DRAW	10/19	AESTHETICS	REVIEW NOT FOR CONSTRUCTION OR RECORDING
CHECKED	10/19	DETAIL SHEET	DWG. NO. D-01.00
NOTE: 1-10 LOCATION: GEC 1-10, 1-17 to SR 202			
TRACS NO. FOOT2 01D		010-C12201T	OF

FEDERAL REGION	STATE	PROJECT NO.	SHEET NO.	TOTAL SHEETS	RECORD DRAWING
9	ARIZ.	010-C2201T			
010 MA 149					

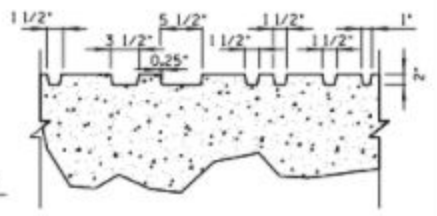


DETAIL D-1 NTS
DECORATIVE MEDIAN PAVERS

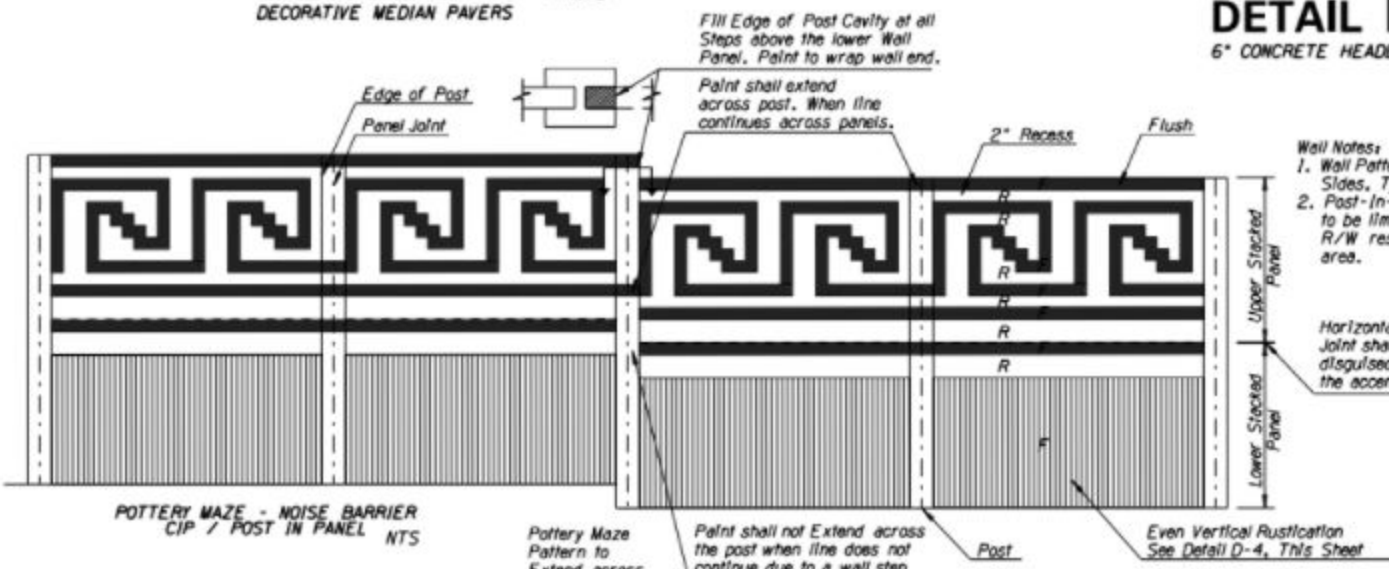
- Header Notes:**
1. Concrete Header Only To Be Used At Locations Where Pavers Are Adjacent To Exposed Soil Or Granite Landscape Areas
 2. Install Pavers Per ADOT C-Standard Detail C-05.40.
 3. Developer To Layout Pattern At Each Median Location For Approval By ADOT, Prior To Construction.



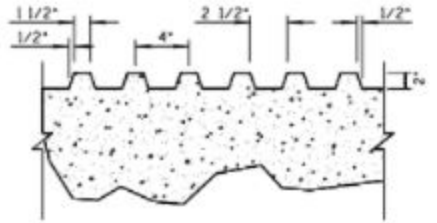
DETAIL D-2 NTS
6" CONCRETE HEADER CURB



DETAIL D-3 NTS
RANDOM VERTICAL RUSTICATION



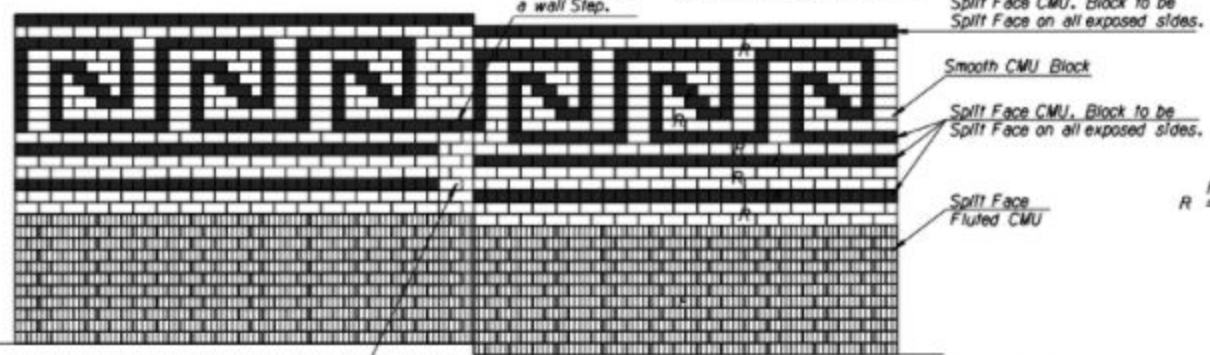
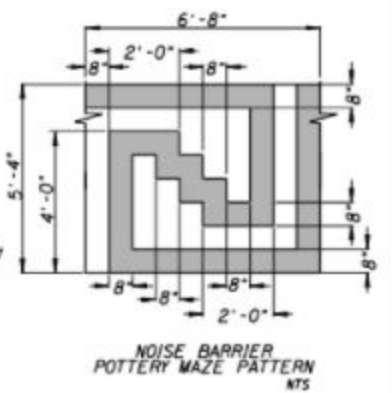
- Wall Notes:**
1. Wall Pattern Applied to Both Sides, Typical.
 2. Post-In-Panel Construction to be limited to areas where R/W restricts construction area.



DETAIL D-4 NTS
EVEN VERTICAL RUSTICATION

- General Notes:**
1. Random and Even Vertical Rustication Typical Both Sides of Noise Barrier to Receive This Rustication and on Front Face of Retaining Walls Where Applicable.
 2. Rustication to be Painted ADOT 'Tan' Federal ID No. 30318 Except at Accent Areas. Refer to Character Area Details for Accent Rustication Patterns and Paint Colors.

PROJECT WIDE DETAILS



Leave 20" gap in Horizontal bands where horizontal band does not extend continue across a step in Noise Barrier

POTTERY MAZE - NOISE BARRIER CMU MASONRY BLOCK NTS

DETAIL D-5 NTS
NOISE BARRIER

DATE	BY	CHKD	APP'D	REVISION
10/19	AS			
10/19	ST/AB			
10/19	ECC			

ARIZONA DEPARTMENT OF TRANSPORTATION
INFRASTRUCTURE DELIVERY AND OPERATIONS DIVISION
ROADWAY DESIGN SERVICES

AESTHETICS
DETAIL SHEET
PROJECT WIDE DETAILS

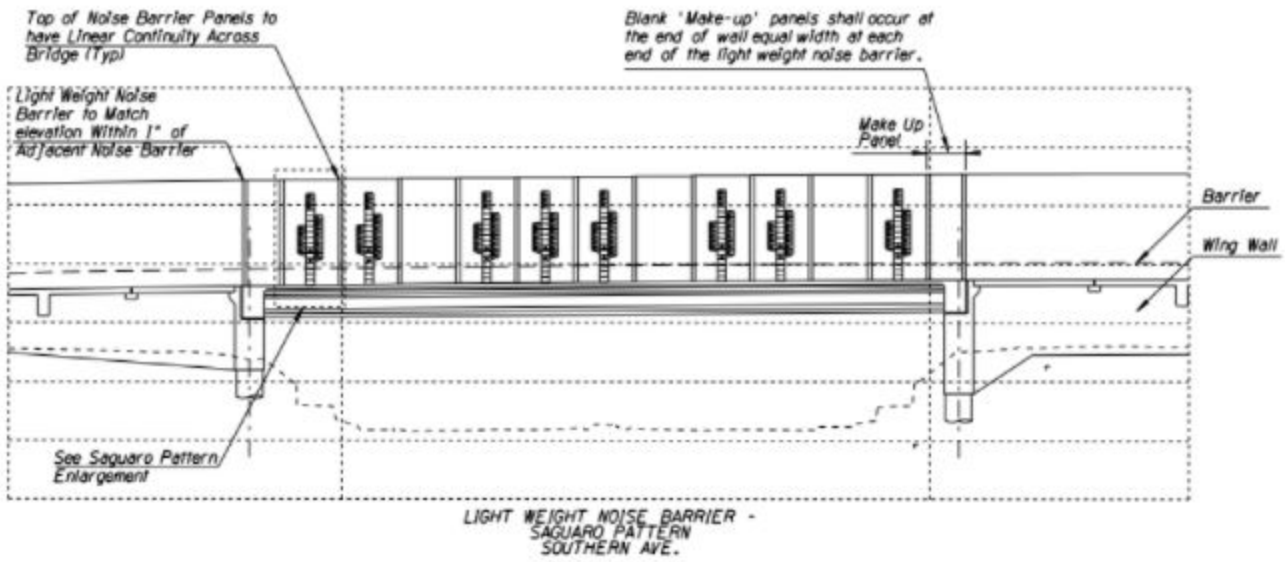
PRELIMINARY
DRAFT
REVIEW NOT FOR CONSTRUCTION OR RECORDING
DWG NO. D-SLOI
OF

TRACS NO. F0072 01D

GEC 1-10, 1-17 to SR 202

010-C2201T

FARRA REGION	STATE	PROJECT NO.	SHEET NO.	TOTAL SHEETS	RECORD DRAWING
9	ARIZ.	010-C12201T			



LIGHT WEIGHT NOISE BARRIER - SAGUARO PATTERN SOUTHERN AVE.

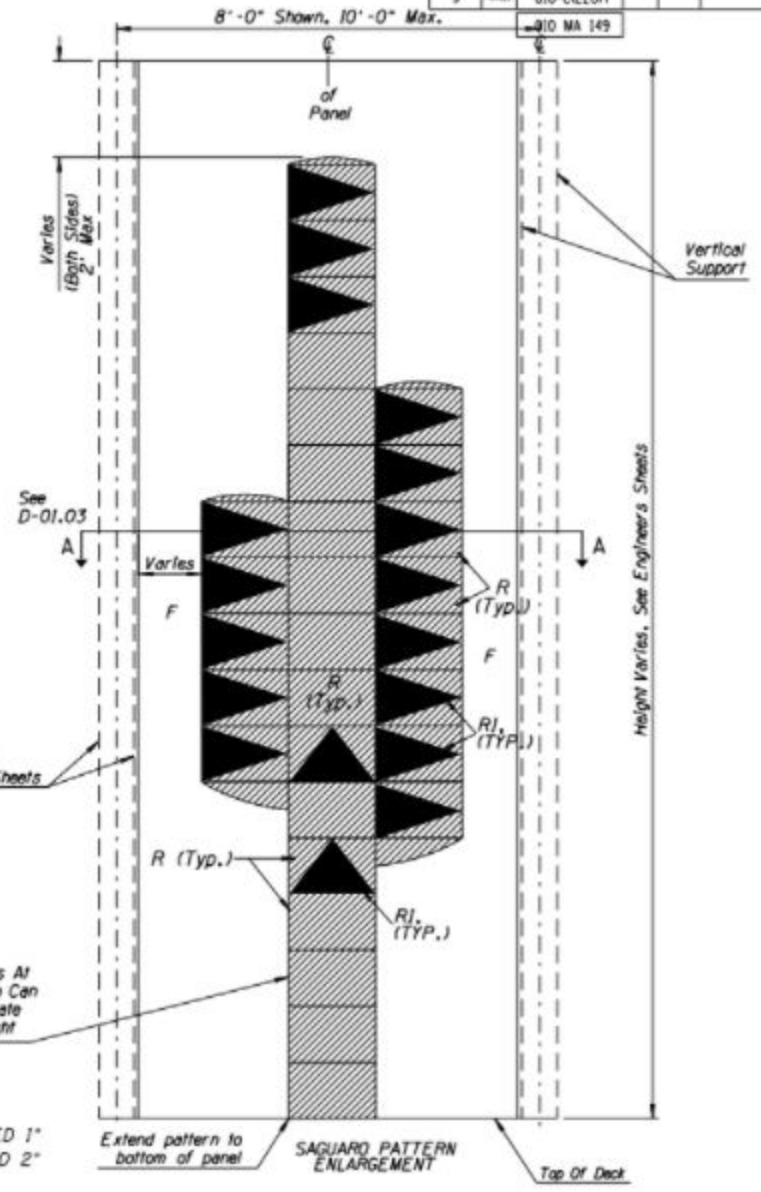
PAINT / COLOR MATRIX

	Aesthetic Area 1 - Federal Chp No. 30318 ADOT Standard Tan, Flat Finish
	Accent - 'Black Deco' Sherwin-Williams (Frazee) No. AC144N, Gloss Finish
	Character Area - Hohokam Pottery Red / Sherwin-Williams (Frazee) CLV1104N 'Neretic', Gloss Finish

LIGHT WEIGHT NOISE BARRIER LOCATION / ACCENT COLOR CHART

Character Areas	Location	Paint Color Numbers
CA 1	TBD	Accent-Hohokam Pottery Red / Sherwin-Williams (Frazee) CLV1104N 'Neretic'
CA 2	Southern Avenue / US 60 Ramps	Accent-Hohokam Pottery Red / Sherwin-Williams (Frazee) CLV1104N 'Neretic'

- NOTES:**
- See Engineering Light Weight Noise Barrier (LWNB) Details for Wall Structural and Mounting Design.
 - Size/Height of Rustication May Vary with Height of LWNB.
 - Developer Shall Design, Fabricate and Install LWNB Panels to the Top of the LWNB Panel On Both Sides of Bridges.
 - Rustication Batter or Draft Is 1/4" to 1".
 - Developer Shall Provide Shop Drawings for Each Wall for All Rustication Patterns and Fabrication Details for Approval by ADOT prior to Fabrication.
 - No Rustication on End Filter Panels, Width Varies.
 - Developer Shall Paint Rustication as per Section 800 of the Technical Provisions.
 - Paint Numbers Shown in the Landscape Aesthetics Concepts are for Paint Color Reference and Control Samples Only. The Developer May Apply any Paint Color, Brand Names, or Trademarks such as: Sherwin-Williams (Frazee), and Dunn-Edwards Paint as Long as They Demonstrate Equivalent Color Effects As Per the Technical Provisions and Approval from ADOT.
 - Developer to Field Verify All Dimensions/Layout.
 - Developer to Apply LWNB Rustication to Both Sides of Panels.



LEGEND
 F = FLUSH
 R = RECESSED 1"
 R1 = RECESSED 2"

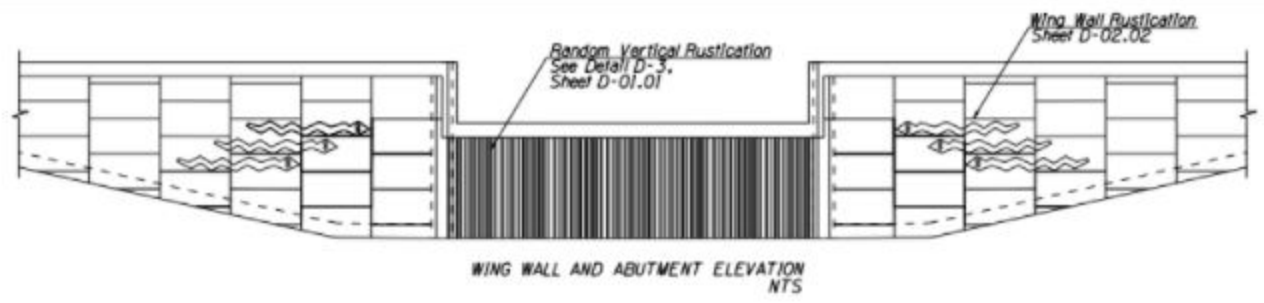
DETAIL D-6

NTS
 LIGHT WEIGHT NOISE BARRIER

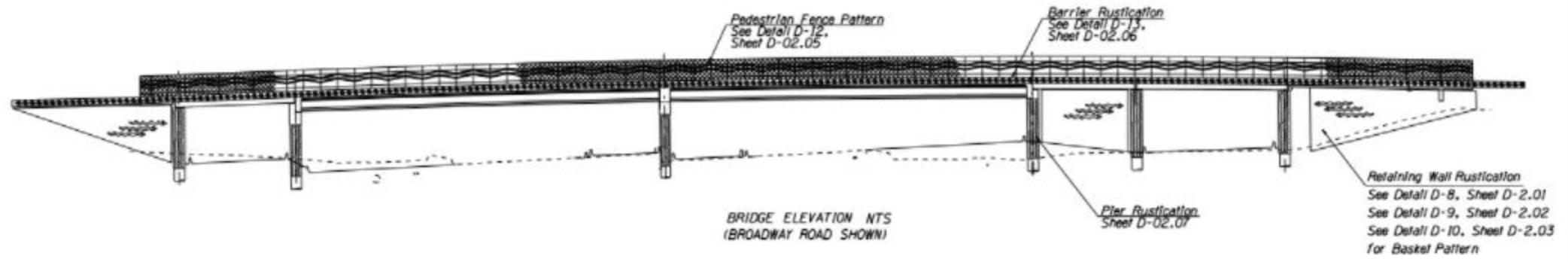
PROJECT WIDE
 LIGHT WEIGHT NOISE BARRIER

DESIGN	AS	DATE	10/19	ARIZONA DEPARTMENT OF TRANSPORTATION INFRASTRUCTURE DELIVERY AND OPERATIONS DIVISION ROADWAY DESIGN SERVICES	DRAFT
DRAWN	STAFF	DATE	10/19		
CHECKED	EGC	DATE	10/19		
cdg					
AESTHETICS DETAIL SHEET PROJECT WIDE DETAILS					PRELIMINARY DRAFT REVIEW NOT FOR CONSTRUCTION OR RECORDING DWG NO. D-06.02 OF
DATE	LOCATION	GEC I-10, I-17 to SR 202			
TRACS NO. F0072 01D		010-C12201T			

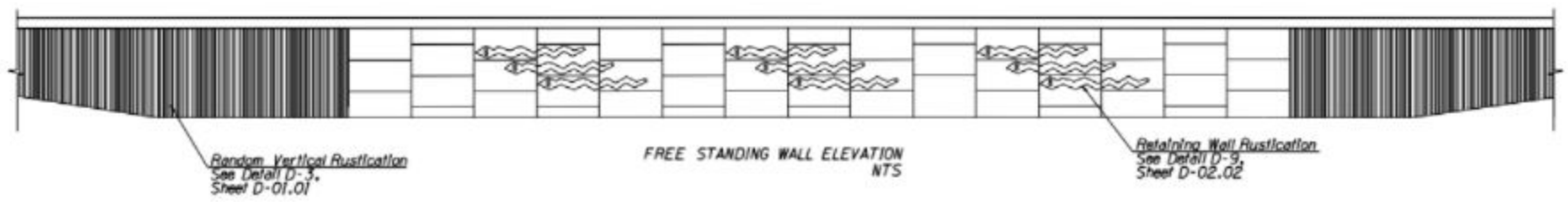
FED. AID REGION	STATE	PROJECT NO.	SHEET NO.	TOTAL SHEETS	RECORD DRAWING
9	ARIZ.	010-C12201T			
010 MA 149					



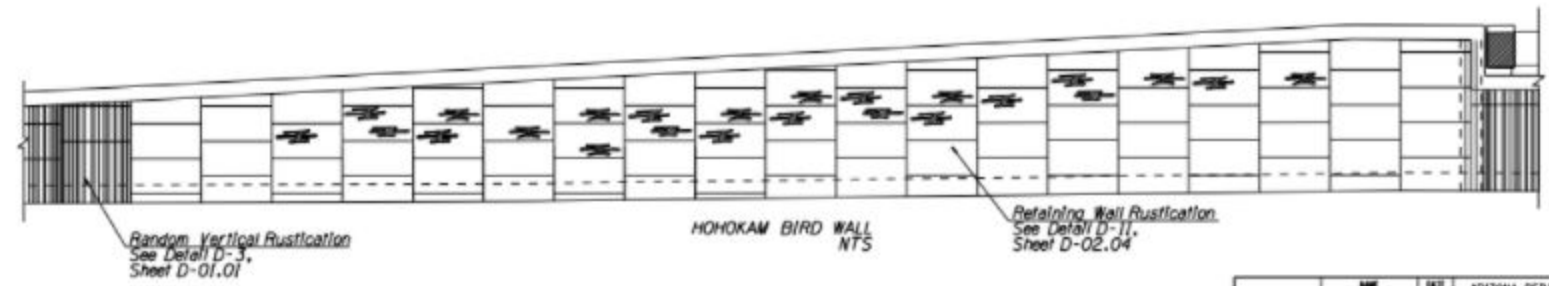
WING WALL AND ABUTMENT ELEVATION
NTS



BRIDGE ELEVATION NTS
(BROADWAY ROAD SHOWN)



FREE STANDING WALL ELEVATION
NTS

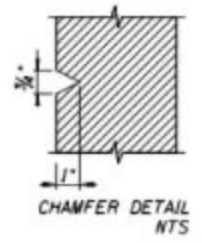
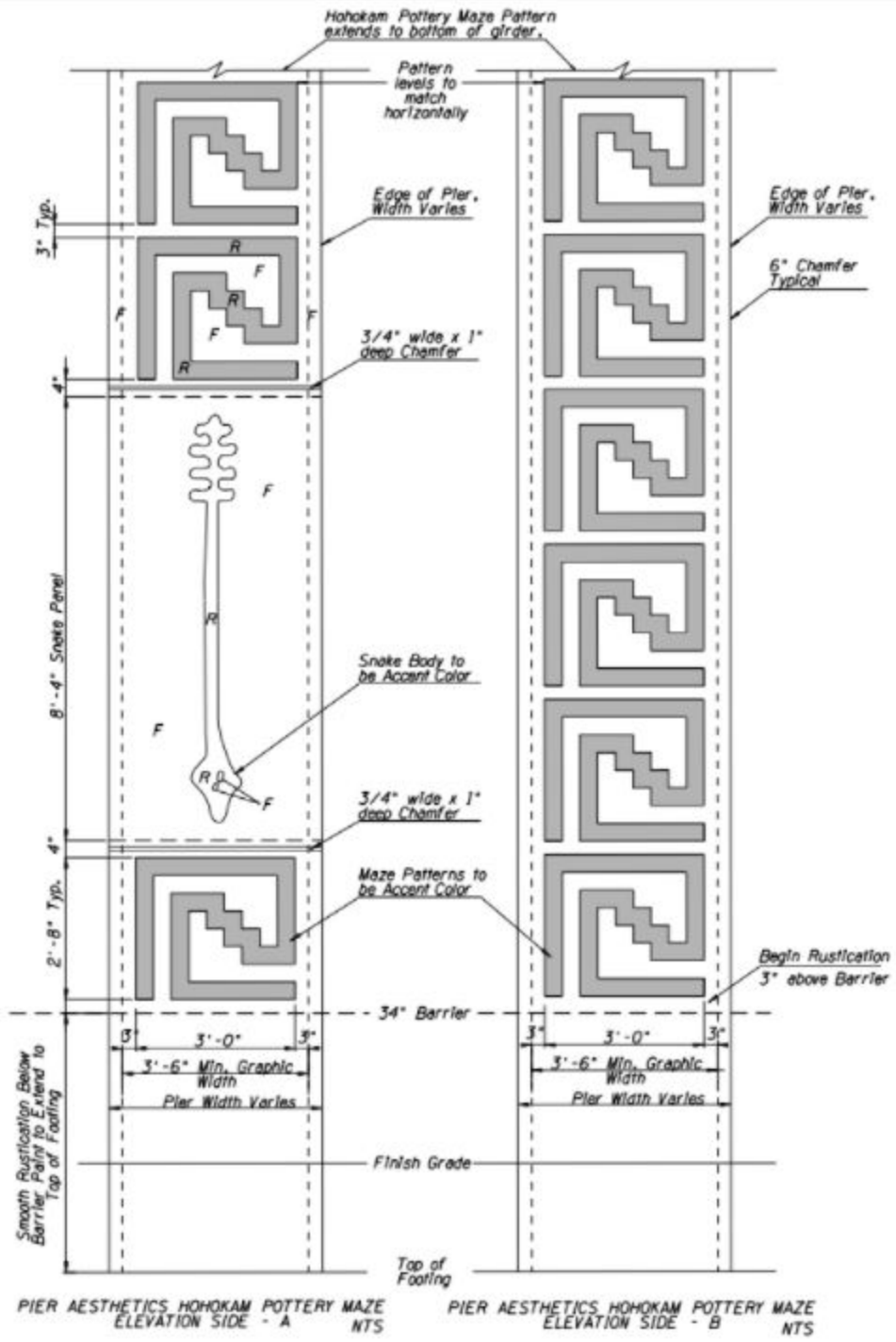


HOHOKAM BIRD WALL
NTS

CHARACTER AREA I AESTHETICS

DESIGN	AS	10/19	ARIZONA DEPARTMENT OF TRANSPORTATION INFRASTRUCTURE DELIVERY AND OPERATIONS DIVISION ROADWAY DESIGN SERVICES	PRELIMINARY DRAFT REVIEW NOT FOR CONSTRUCTION OR RECORDING DWG NO. 0-02.00
DRAWN	STAFF	10/19		
CHECKED	ECC	10/19		
DATE	1-10	LOCATION		
TRACS NO. FOOT2 01D			010-C12201T	OF

FARA REGION	STATE	PROJECT NO.	SHEET NO.	TOTAL SHEETS	RECORD DRAWING
9	ARIZ.	010-C12201T			
010 MA 149					

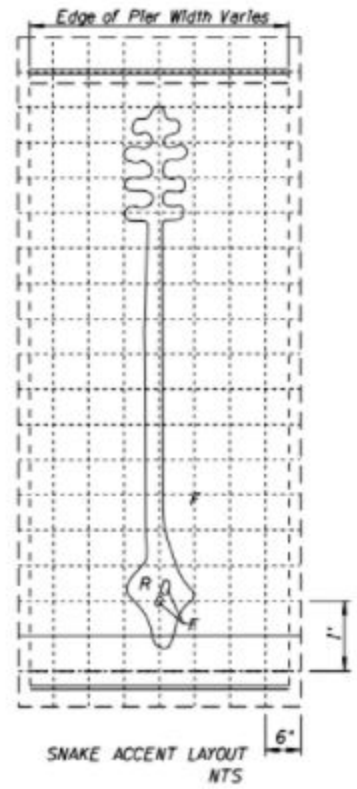


PIER NOTES:

- Snake Pattern Rustication Provided for Informational Purposes for Developer to Incorporate In Final Design On Pedestrian Bridges and as Needed when Making Approved Changes to Schematic Designs that Require Piers.
- Snake Pattern (Side - A) to be Incorporated on Any Pier Over 12' In Height. When Pier Is Less Than 12' HT Apply Side - B Rustication on All Sides.
- Rustication Batter or Draft Is 1/4" to 1".
- Rustication Shall be Painted to Match Accent Colors for Character Area 2. See Paint Color Matrix D01.03.
- Rustication Dimensions are Fixed From the Bottom of the Pier at a Min. of 46" Above Finish Grade. All Piers Within the Same Structure Shall Have Same Pattern and Maintain Same Fixed Elevation.

GENERAL NOTES:

- Rustication Batter or Draft Is 1/4" to 1".
- Rustication Patterns Shall Extend a Minimum of 2' Below Finish Grade or to Top of Foundation.
- Developer Shall Paint Rustication as per Section 800 of the Technical Provisions.
- Paint Shall Extend a Minimum of 2' Below Finish Grade or to Top of Foundation.
- Cast Concrete Rustication Patterns Shown In Details. If Developer Proposes Post-Applied Rustication, Finish, Patterns, and Colors to Match Intent Of Details As Shown and Approved by ADOT.
- Paint Numbers Shown in the Landscape Aesthetics Concepts are for Paint Color Reference and Control Samples Only. The Developer May Apply any Paint Color, Brand Names, or Trademarks such as Sherwin-Williams (Frazee), and Dunn-Edwards Paint as Long as They Demonstrate Equivalent Color Effects As Per the Technical Provisions and Approval from ADOT.
- Developer to Field Verify All Dimensions/Layout.
- Developer Shall Provide Shop Drawings for All Aesthetics Patterns and Fabrication Details for Approval by ADOT prior to Fabrication.



DETAIL D-19 NTS

CHARACTER AREA 2 - PIER RUSTICATION

DESIGN	DATE	BY	ARIZONA DEPARTMENT OF TRANSPORTATION INFRASTRUCTURE DELIVERY AND OPERATIONS DIVISION	PRELIMINARY
DESIGN	AS	10/19	ROADWAY DESIGN SERVICES	DRAFT
DRAW	STAFF	10/19		
CHECKED	ECG	10/19		
<small>ccdg</small>			AESTHETICS DETAIL SHEET CA 2 - PIERS	REVIEW NOT FOR CONSTRUCTION OR RECORDING
ROUTE	LOCATION	GEC 1-10, 1-17 to SR 202		DWG. NO. D-0506
1-10				OF
TRACS NO. FOOT2 OID		010-C12201T		

SHEET NO. 1-10
 SECTION 1-10
 DRAWING NO. 010-C12201T
 DATE 10/19/19